

Model: GP-RS26P Series

Features

- Universal AC Input 90~305VAC.
- Constant Voltage / Constant Current Operation.
- Constant Current Operation for Dimming Type.
- Double Insulation Cable Wire.
- For High Brightness Light-Emitting Diode Products.
- Built-in PFC Function.
- Built-in 3-in-1 Dimming for CA Type.
- Fully Isolated Plastic Case.
- Protections: OVP / SCP / OTP.
- Operation From -20°C ~50°C Full Load.
- Class 2 Power Supply Unit.
- When Using Constant Voltage Only 80% Load.
- IP67 Class.

Approvals

CE FCC cULus IP67 SELV



Size

110 * 73.5 * 33 mm (L*W*H)



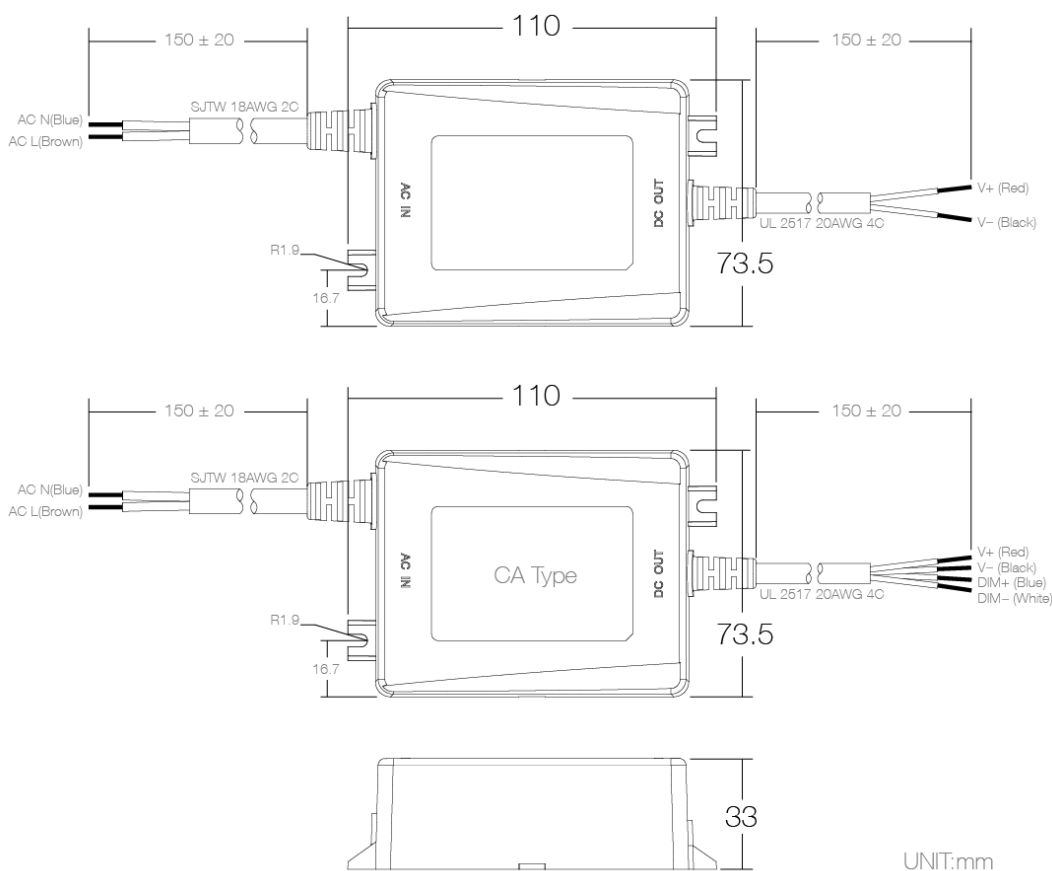
Specifications

A: mean that Dimming Function

Model No.		GP-RS26P-12C(A)	GP-RS26P-24C(A)	GP-RS26P-36C(A)	GP-RS26P-42C(A)	GP-RS26P-48C(A)	GP-RS26P-57C(A)	
Output	DC Voltage Range	9 ~ 12V	14 ~ 24V	24 ~ 36V	33 ~ 42V	33 ~ 48V	40 ~ 57V	
	Rated Current	2100mA	1050mA	700mA	600mA	500mA	350mA	
	Rated Power	25.2W	25.2W	25.2W	25.2W	24W	20W	
	Ripple & Noise (Max.)	200mV	200mV	250mV	250mV	250mV	300mV	
	Efficiency at 240VAC(Typ.)	79%	80%	80%	80%	80%	78%	
	Current Tolerance	±5%						
	Dimming Control	PWM dimming: 1<Vadj<10V(500Hz ~ 3KHz)						
		Analog Dimming Control: control by external voltage 1 ~ 10VDC						
Resistance Dimming:10K - 100KΩ								
Set up time (Max.)	2 Sec / 120VAC / full load							
Input	Nominal Voltage Range (TYP.)	100 ~ 277VAC						
	Voltage Range(Min/Max)	90 ~ 305VAC						
	Frequency Range	47 ~ 63 Hz						
	AC Current (Max.)	0.4A at 120VAC / 0.2A at 240VAC						
	Power Factor	>0.98 at 120VAC / full load / >0.92 at 240VAC / full load / >0.9 at 277VAC / full load						
	Inrush Current (Max.)	COLD START 50A at 264VAC						
	Leakage Current	<0.25mA / 230VAC						
Protections	Short Circuit	Type: Hiccup mode & recovers after fault condition disappeared.						
	Over Voltage	115% ~ 135% Output Voltage; Type: Latch mode						
	Over Temperature	Thermistor:105°C ± 10°C (tc: 85°C ± 10°C); Type: Latch mode						
Environment	Operation Temperature	-20°C ~50°C full load						
	Operation Humidity	20% ~ 95% RH non-condensing.						
	Storage Temp.	-40 ~ +80°C						
	Storage Humidity	10% ~ 95% RH						
	Vibration	10~500 Hz, 2G 10 min./1 cycle, period for 60 min. each along X, Y, Z axes.						
Safety & EMC	Safety Standards	UL8750 , EN61347-1,EN61347-2-13, Independent ; IP67 Approved.						
	Withstand Voltage	Meet I/P-O/P: 3.75KVAC						

	Isolation Resistance	Meet I/P-O/P:100M ohms / 500VDC at 25°C
	EMI Conduction & Radiation	Meet Compliance to EN55015,FCC part 15
	Harmonic Current	Meet Compliance to EN61000-3-2 Class C
	EMS Immunity	Meet Compliance to EN61000-4-2,3,4,5,6,11;EN61547
Others	MTBF	200K hours min. MIL-HDBK-217F(25°C)
	Dimension(L x W x H)	110 x 73.5 x 33mm; 372.5g/pcs
Note	1. All specifications not specially mentioned are measured at 240VAC and 25°C ambient temperature. 2. Ripple & Noise are measured at 20MHz bandwidth by using a 12" twisted pair-wire terminated with 0.1uf & 47uf parallel capacitor. 3. Current Tolerance: includes line regulation, load regulation and set-up tolerance.	

Mechanical Specification



Derating Curve

