

Model: LCxxxx-0A Series (9 Watts Adaptor)

Features

- Universal AC Input 90~264VAC.
- Constant Current Operation.
- For High Brightness Light-Emitting Diode Products.
- Fully Isolated Wall Mounted Adaptor.
- Operation from -10°C ~40°C at Full Load.
- Protections:OLP/ SCP.
- Class II Power Design Without Earth Pin.
- Tc Point Measured ,Max Case Temperature:70°C.

Approvals



Size

US Plug: 67 * 37 * 27 mm (L*W*H)

Euro Plug: 68 * 37 * 28.4 mm (L*W*H)



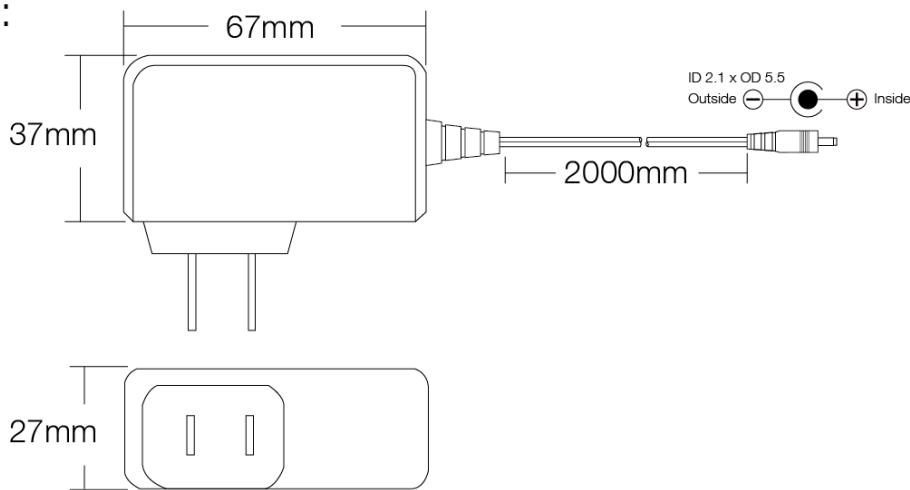
Specifications

Model No.		GP-LC3536-0A	GP-LC7021-0A
Output	LED Operation Voltage Note.2	3~36VDC	3~21VDC
	Rated Current Range Note.4	350mA ± 6%	700mA ± 6%
	Rated Max. Power	8W	9W
	Efficiency (Typ.) 230V AC	75%	75%
	DC Plug size	2.1*5.5*11mm	
	Rise Time	<250ms at full load	
Input	Voltage Range	90 VAC ~ 264 VAC	
	Frequency Range	47 Hz ~ 63 Hz	
	AC Current	0.3A at 115VAC / 0.2A at 230VAC	
	Inrush Current	<40A at 230V	
	Leakage Current	<0.25mA / 240VAC	
Protections	Over Load	140~160% rated output power at 230V; 110~140% rated output power at 115V Recovers automatically after fault condition has been removed.	
	Short Circuit	Type: Hiccup mode, Recovers automatically after fault condition is removed.	
Environment	Operation Temp.	-10°C ~40°C full load.	
	Operation Humidity	20% ~ 95% RH non-condensing.	
	Storage Temp.	-20 ~ +80°C	
	Storage Humidity	10% ~ 95% RH	
	Vibration	10 ~ 500 Hz, 2G 10 min. / 1 cycle, period for 60 min. each along X, Y, Z axes.	
Safety & EMC	Safety Standards	EN61347-1, EN61347-2-13	
	Withstand Voltage	I/P - O/P: 3K VAC	
	Isolation Resistance	>500M ohms / 500VDC at 25°C.	
	EMI Conduction & Radiation	EN55015	
	Harmonic Current	Compliance to EN61000-3-2 Class C,EN61000-3-3	

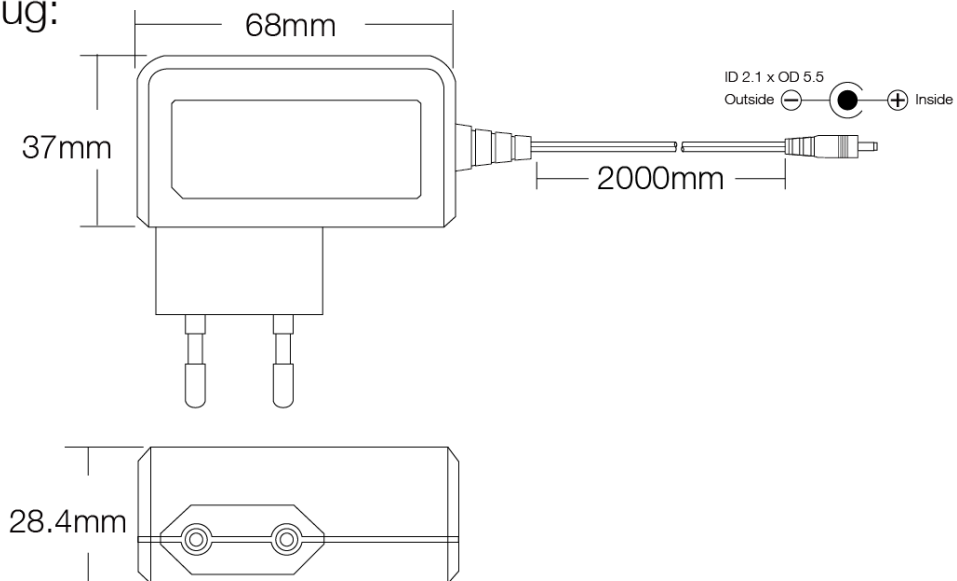
	EMS Immunity	EN61547, EN61000-4-2, 3, 4, 5, 6, 8, 11
Others	MTBF	200K hours min.MIL-HDBK-217F(25°C)
	Dimension(L x W x H)	US Plug: 67 * 37 * 27 mm (L*W*H); 115g/pcs Euro Plug: 68 * 37 * 28.4 mm (L*W*H); 117.6g/pcs
Remark	<ol style="list-style-type: none"> 1. All parameters NOT specially mentioned are measured at 230V AC input, rated load and 25°C ambient temperature. 2. Constant current operation region is within the specified output voltage range above. This is the suitable operation region for LED related applications. 3. The power supply is considered a component which will be installed a final equipment. The final equipment must be re-confirmed that it still meets EMC directives. 4. At 230V rated Max power. 	

Dimension

US Plug:

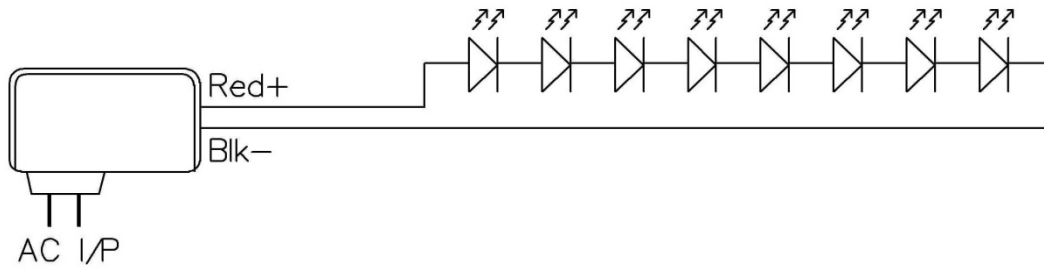


Euro Plug:

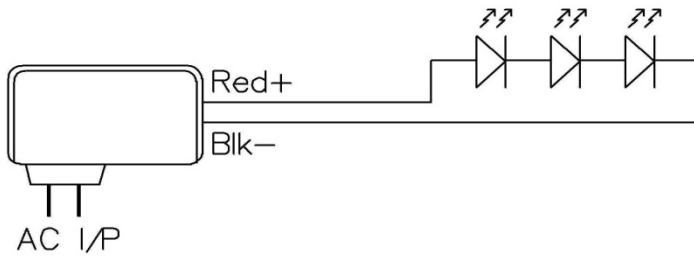


Configuration arrays when using Hi power LEDs

GP-LC3536-0A driver at 350mA/LED : from 1 to 8 LEDs in series



GP- LC7021-0A driver at 700mA/LED : from 1 to 3 LEDs in series



Photo

US Plug



Euro Plug

