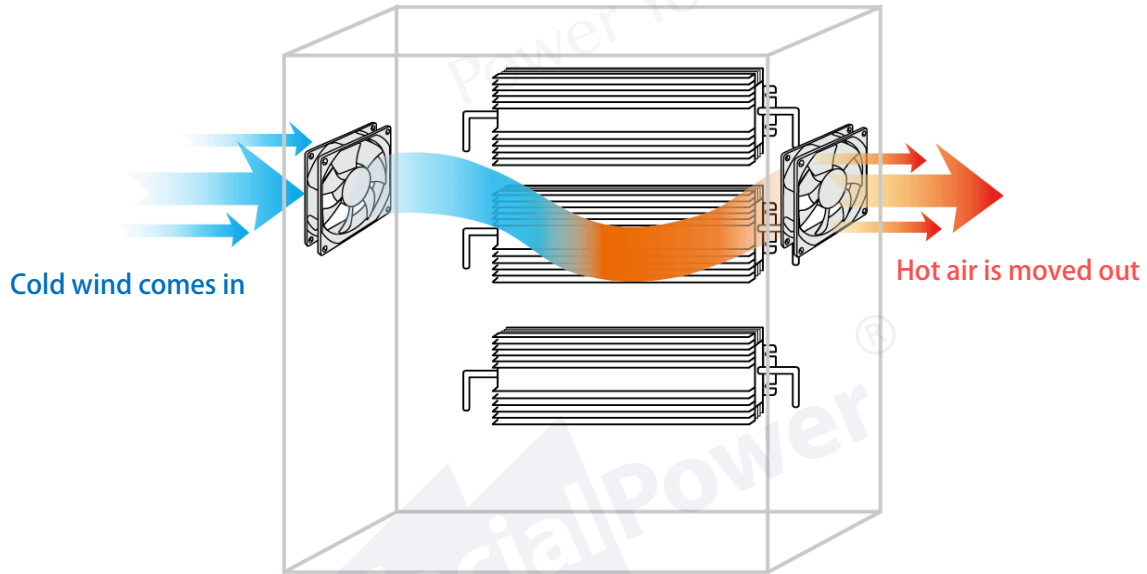




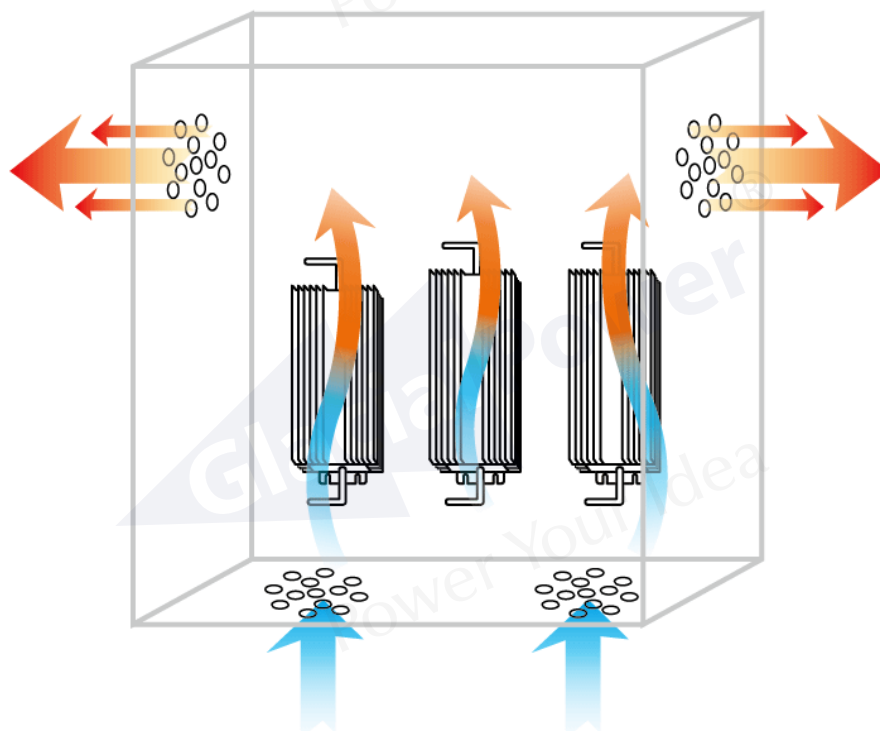
Recommended guidelines for LED power supplies to be installed in the distribution board to ensure the longevity of electronic products in the distribution board.

Copyright : GlacialTech INC. 2024.01.03

- 1) Install a heat exhaust fan on the distribution board to force the heat out.

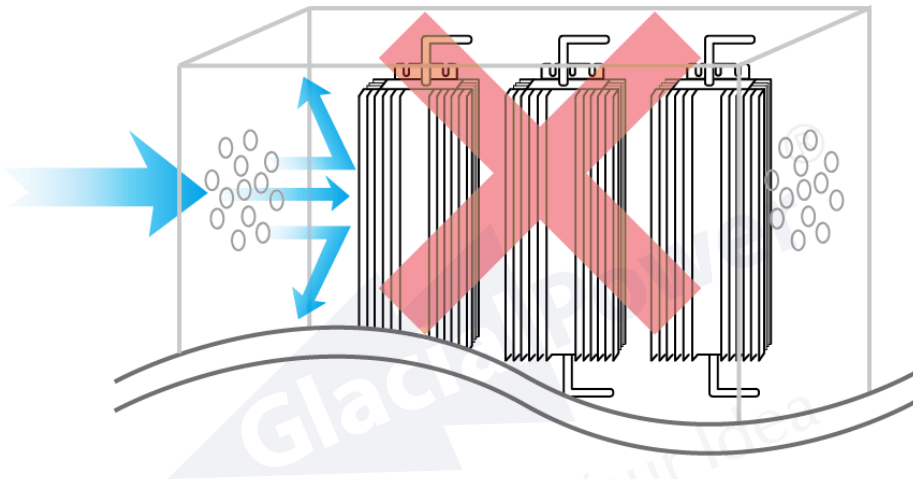
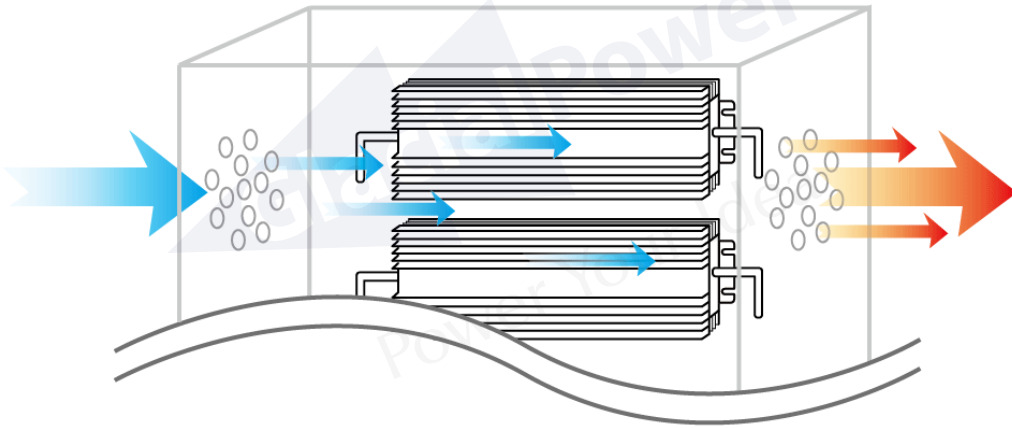


- 2) Drill holes in the distribution board for heat dissipation to generate natural heat convection for heat dissipation.

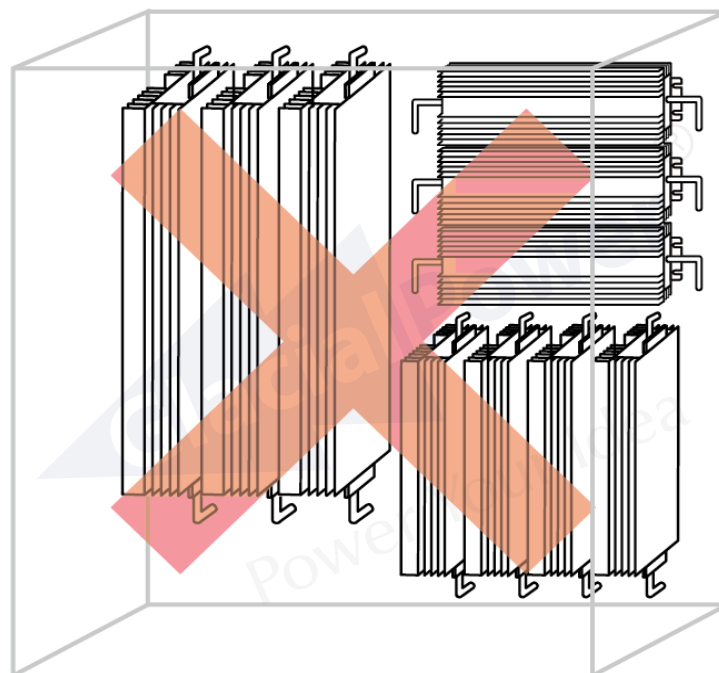




- 3) The LED power supply should be placed in the direction of the wind flow, not in the opposite direction.

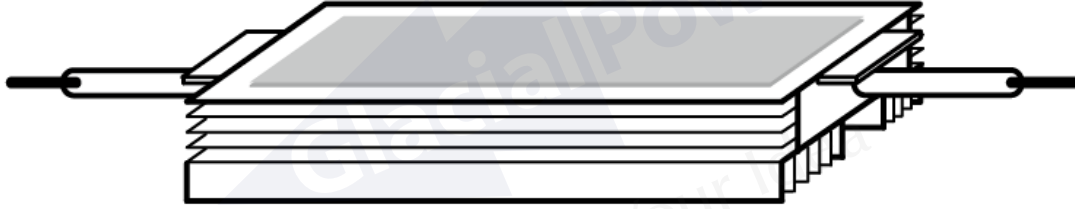


- 4) Try to avoid installing the LED power supply too closely, especially when there is no fan.





- 5) Electronic products that generate heat sources can stick a thermal pad on the back, and the heat is dissipated through distribution board.



Thermal pad, eg. <https://www.glacialtech.com/products/skd-TCP.htm>