

## Model: GP-TLxxxx-27 Series (9W/120V)

### 9W AC Dimmable LED Power Supply; 120VAC for High Power LED Lighting Source

#### Features

- Input Range from 120VAC ± 10%.
- Work with Leading Edge and Trailing Edge Dimmers.
- With Power Factor Correction Function: PF > 0.9.
- Compact, Lightweight in Plastic Case.
- Designed for Indoor Application.
- Protections: Short-Circuit / Over Load.

#### Approvals



#### Size

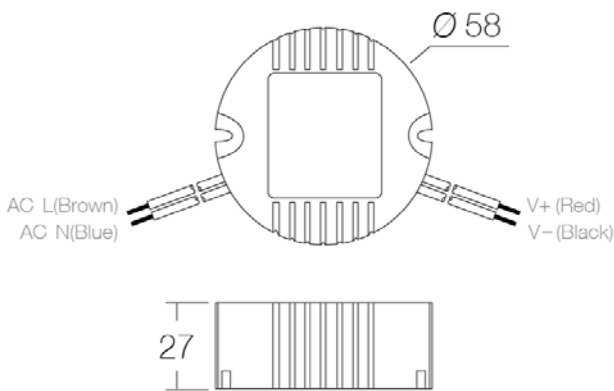
Φ58 \* 27 mm



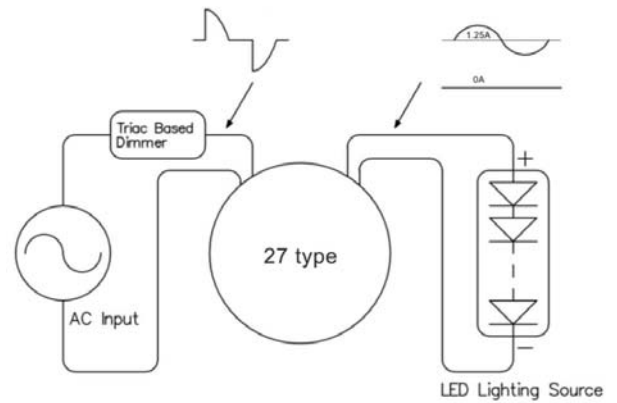
#### Specifications

Model No.		GP-TL7512-27	GP-TL3724-27	GP-TL2536-27
Output	Voltage Range (VDC)	7-12VDC	15-24VDC	26-36VDC
	Ripple & Noise (max.)	3Vp-p	3Vp-p	3Vp-p
	Rated Current Range (mA)	750mA ± 6%	370mA ± 6%	250mA ± 6%
	Rated Power (W)	9W Max	9W Max	9W Max
	Efficiency (Typ.)	72%	75%	78%
Input	Voltage Range (VAC)	120VAC ± 10%		
	Frequency Range (Hz)	60 Hz		
	AC Current	0.2A		
	THD (Total Harmonic Distortion)	Less than 20% at full load		
	Max. Inrush Current	< 15A		
	Leakage Current	<1mA / 120VAC		
	Available Dimmers	Standard Light Switches. Triac based Incandescent Dimmers (Standard phase - leading edge). Electronic Low Voltage Dimmers (Reverse Phase - trailing edge).		
Environment	Operating Temp.	-20°C ~ + 40°C full load.		
	Operating Humidity	20% ~ 95% RH non-condensing.		
	Storage Temp. / Humidity	-20 ~ +80°C / 10% ~ 95% RH		
	Ambient Temp.	25°C at 120VAC		
	MTBF	>100,000 Hours at full load and 25°C ambient conditions(MIL-HDBK-217F)		
Safety Approval	Safety Standards	UL, cUL 8750 Class 2		
Others	Dimension(L x W x H)	Φ58 x 27mm; 138g/pcs		

**Mechanical Specification**



**Wiring Diagram**



**Dimmer Recommended**

Brand	Parts NO.
LUTRON	SKYLARK S-600
LUTRON	SKYLARK S-600P
LUTRON	DIVA DV-603
LEVITON	SUPERSLIDE 6631
LEVITON	VIZIA VPI06

**NOTES:**

1. AC-Dimming series, a new AC/DC LED driver that operates directly from AC line dimmer and provides an isolated, Class 2 low voltage constant current to properly drive the LED luminaries.
2. Lamps must be wired in series, and total value of Vf should be under rated DC Voltage.
3. Disconnect the mains supply before installing, do not turn on/off from output port.
4. Parameter measured at full load 25°C ambient temperature.
5. Under direct driving, the power supply will work in "constant current mode (CC)" and output voltage of the power supply will be clamped by sum of forward voltage (V) of the LED strip.