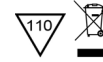


Model: GP-TH120N-24V (120W/230V) 120W Constant Voltage LED Driver with Triac Dimming

Features

- AC phase-cut dimming
- Input Range from 205VAC to 256VAC.
- Constant Voltage design. (C.V mode)
- Work with leading edge and trailing edge TRIAC dimmers.
- Fully Potted suitable for dry and damp location applications.
- Protections: Over current / Short Circuit /Over Voltage/Over Temperature.
- IP67 Design For Indoor or Outdoor Installations.
- Class I power unit, with FG.
- Appropriate for 24V LED strips appliance.
- 3 Years Warranty.
- RoHS Compliant.

Approvals



Size

222 * 68 * 39 mm (L*W*H)

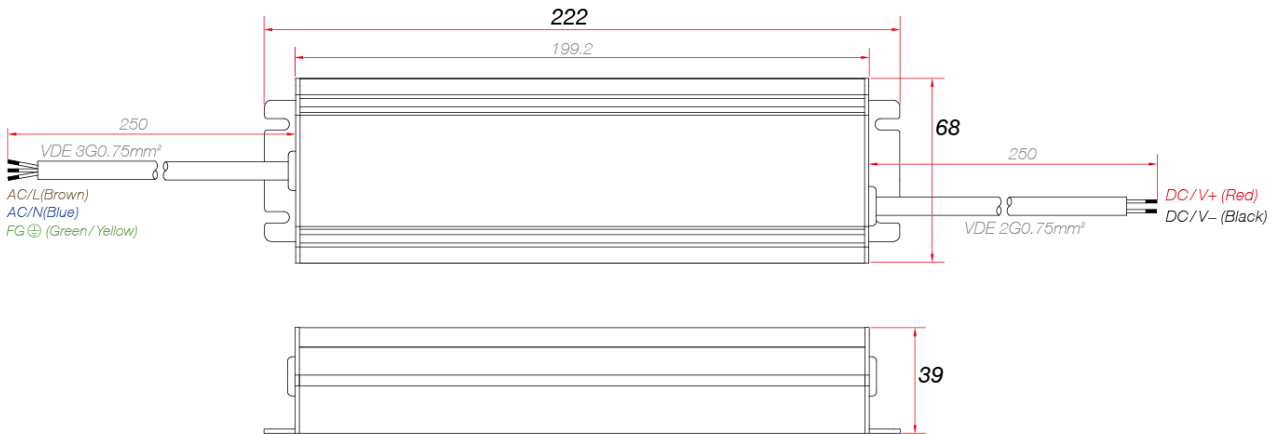


Specifications

Model No.		GP-TH120N-24V
Output	Voltage Range	24VDC
	Ripple & Noise (Max.) note.2	2.6Vp-p
	Voltage Tolerance	± 5%
	dimming Range	1%~100%
	Rated Current	5000mA
	Rated Power	120W Max
	Efficiency (Typ.) note.1	84%
	Set up Time (Max)	0.5S / 230Vac at full load
Input	Rated Voltage	220~240VAC
	Voltage Range	205~256VAC
	Frequency Range	50/60 Hz
	AC Current (Max.)	1.2A at 230VAC
	Power Factor	> 0.5 at 230Vac with full load.
	Max. Inrush Current	Cold Start 60A at 230VAC
	Leakage Current (Typ.)	<1mA / 230VAC
Protections	Over Voltage	105 % - 140% Output voltage limiting, latch off
	Over Current	110% - 140% Constant current limiting, auto-recovery
	Over Temperature	110°C - 120°C Temperature limiting, auto-recovery
	Short Circuit	Hiccup mode, recovers automatically after fault condition is removed
Environment	Operation Temp.	-20°C ~ 50°C (Refer to output load derating curve)
	Operation Humidity	20% ~ 90% RH non-condensing.
	Storage Temp.	-20 ~ +80°C
	Storage Humidity	10% ~ 90% RH
Safety & EMC	Safety Standards	meet EN61347-1,EN61347-2-13
	Withstand Voltage	I/P - O/P : 3.75K VAC
	Isolation Resistance	I/P-O/P : 100M ohms / 500VDC at 25°C
	EMC Standards note.3	meet EN55015,EN61000-4-2,3,4,5,6,8,11 ,EN61547

Others	MTBF	100K hours min. @Ta=25°C
	Dimension (L x W x H)	222 x 68 x 39 mm; 1024g/pcs
Note	1. All parameters NOT specially mentioned are measured at 230V/50HZ AC input, rated load and 25°C ambient temperature. 2. Ripple & Noise are measured at 20MHZ bandwidth oscilloscope and with 0.1uf & 47uf parallel capacitor at 100% duty output. 3. The power supply is considered a component which will be installed a final equipment. The final equipment must be re-confirmed that it still meets EMC directives.	

Mechanical Specification

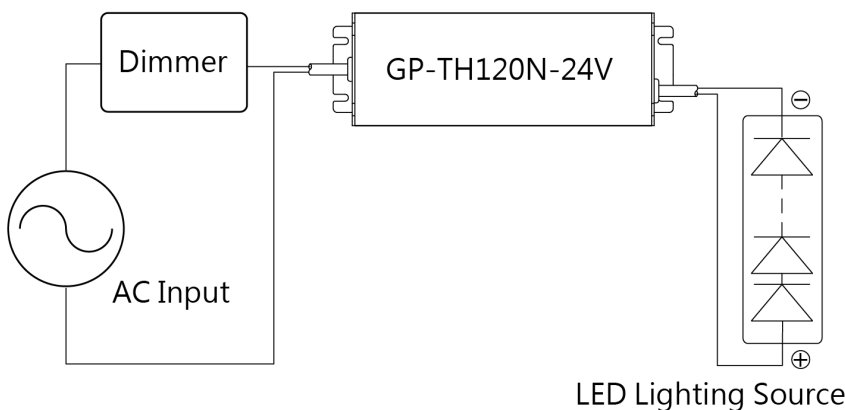


UNIT:mm

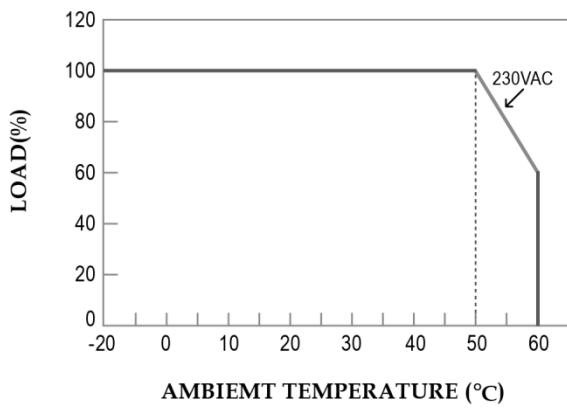
Dimmer Recommended

Brand	Parts NO.
BERKER	286710
IMPORTE PAR TIBELEC	27222
JONYEI	JY-50182
Kopp	DIMMER 8085
LICHTREGLER	814
SCHNEIDER	2873
SHIHLIN	A5-21A1
SIEMTEC	V9-032

Wiring Diagram



Derating Curve



Static Characteristics

