

Model: GP-THxxx-26 Series (12W/230V)

12W AC Dimmable LED Power Supply; 230VAC for High Power LED Lighting Source

Features

- Input Range from 230VAC ± 10%.
- Work With Leading Edge and Trailing Edge Dimmers.
- With Power Factor Correction Function: PF > 0.9
- Tc Point Measured, Max Case Temperature: 70°C
- Compact Lightweight in Plastic Case.
- Designed for Indoor Application.
- Protections: Short-Circuit / Over Load.

Approvals



Size

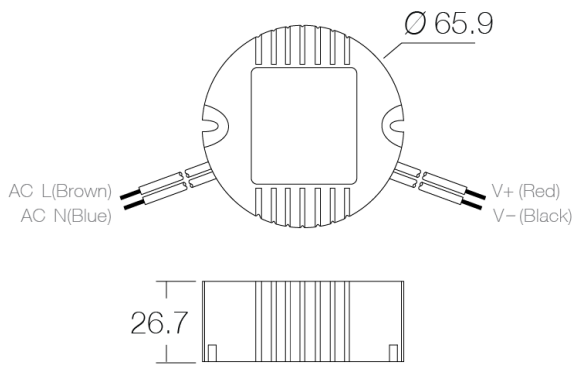
Φ65.9 * 26.7 mm



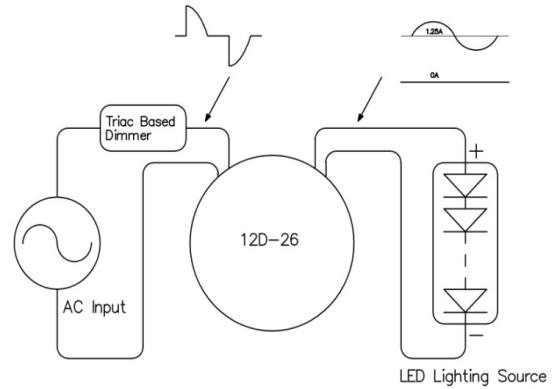
Specifications

Model No.		GP-THA012-26	GP-TH7018-26	GP-TH3536-26
Output	Voltage Range (VDC)	7-12VDC	12-18VDC	24-36VDC
	Ripple & Noise (max.)	2Vp-p	2Vp-p	2Vp-p
	Rated Current Range (mA)	1000mA ± 6%	700mA ± 6%	350mA ± 6%
	Rated Power (W)	12W Max	12W Max	12W Max
	Efficiency (Typ.)	80%	79%	78%
	Hold up time	Half cycle minimum at 230VAC and 80% of rated.		
Input	Voltage Range (VAC)	230VAC ± 10%		
	Frequency Range (Hz)	50 Hz		
	AC Current	0.09A / 230VAC		
	THD (Total Harmonic Distortion)	Less than 20% at full load		
	Max. Inrush Current	< 15A		
	Leakage Current	<1mA / 230VAC		
	Available Dimmers	Standard Light Switches. Triac based Incandescent Dimmers (Standard phase - leading edge). Electronic Low Voltage Dimmers (Reverse Phase - trailing edge).		
Environment	Operating Temp.	-20°C ~ + 50°C full load.		
	Operating Humidity	20% ~ 95% RH non-condensing.		
	Storage Temp. / Humidity	-20 ~ +80°C / 10% ~ 95% RH		
	Ambient Temp.	25°C at 230VAC		
	MTBF	>100,000 Hours at full load and 25°C ambient conditions(MIL-HDBK-217F)		
Safety Approval	Safety Standards	UL, cUL 1310 Class 2;		
Others	Dimension(L x W x H)	Φ65.9 x 26.7 mm; 131.5g/pcs		

Mechanical Specification



Wiring Diagram



Dimmer Recommended

Brand	Part NO.
LUTRON	SKYLARK SELV-300P
LUTRON	DIVA DVLV-600P
LEVITON	SURESLIDE 6631

NOTES:

1. AC-Dimming series, a new AC/DC LED driver that operates directly from AC line dimmer and provides an isolated, Class 2 low voltage constant current to properly drive the LED luminaries.
2. Lamps must be wired in series, and total value of Vf should be under rated DC Voltage.
3. Disconnect the mains supply before installing, do not turn on/off from output port.
4. Parameter measured at full load 25°C ambient temperature.
5. Under direct driving, the power supply will work in "constant current mode (CC)" and output voltage of the power supply will be clamped by sum of forward voltage (V) of the LED strip.