

Model: GP-RS35P-42C(A) Series (DC Jack Connector)

Features

- Universal AC Input from 90 to 305VAC.
- Constant Current and Constant Voltage Modes.
- Double Insulation Cable Wire.
- Built-in Active PFC Function.
- Protections: OVP, SCP, OTP.
- 3-in-1 Dimming Function (DC 0-10 V, PWM, and Resistor).
- IP67 Rated for Environmental Protection.
- Compliant with ErP EU 1194/2012, Stage 2 Directives for Energy Related Products.
- No Load Consumption is Less than 1W.
- Set up Time is Less than 0.5 Sec at 230VAC.
- Protected by a Fully Isolated Plastic Case.
- DC Power Jack / Connector 2.1mm x 5.5mm Easy for Installation and Maintenance.

Approvals

CE FC cULus SELV

IP67

Size

110 * 73.5 * 33 mm (L*W*H)



Specifications

C: Constant Current Mode A: Dimming

Model No.		GP-RS35P-42C	GP-RS35P-42CA	
Output	DC Voltage Range	33 ~ 42V	33 ~ 42V	
	Rated Current	800mA	800mA	
	Rated Power	33.6W	33.6W	
	Ripple & Noise (Max.)	250mV	250mV	
	Efficiency at 240VAC (Typ.)	82%	82%	
	Current Tolerance	±5%		
	Dimming Control	-	PWM dimming: 0<Vadj<10V(500Hz ~ 3KHz)	
		-	Analog Dimming Control: control by external voltage 0 ~ 10VDC	
		-	Resistance Dimming: 0K - 100KΩ	
	Set up time (Max.)	< 0.5 Sec / 230VAC / full load		
No Load Consumption (Max.)	< 1 W at 230VAC			
Input	Nominal Voltage Range (TYP.)	100 ~ 277VAC		
	Voltage Range (Min/Max)	90 ~ 305VAC		
	Frequency Range	47 ~ 63 Hz		
	AC Current (Max.)	0.5A at 120VAC / 0.3A at 240VAC		
	Power Factor	>0.98 at 120VAC / full load / >0.95 at 240VAC / full load / >0.9 at 277VAC / full load		
	Inrush Current (Max.)	COLD START 60A at 264VAC		
	Leakage Current	<0.25mA / 230VAC		
Protections	Short Circuit	Type: Hiccup mode & recovers after fault condition disappeared.		
	Over Voltage	115% ~ 135% Output Voltage Type: Latch mode		
	Over Temperature	Thermistor: 105°C ± 10°C (tc: 85°C ± 10°C) Type: Latch mode		

Environment	Operation Temperature	-20°C ~50°C full load
	Operation Humidity	20% ~ 95% RH non-condensing.
	Storage Temp.	-40 ~ +80°C
	Storage Humidity	10% ~ 95% RH
	Vibration	10~500 Hz, 2G 10 min./1 cycle, period for 60 min. each along X, Y, Z axes.
Safety & EMC	Safety Standards	UL8750 , EN61347-1,EN61347-2-13, Independent ; IP67 Approved.
	Withstand Voltage	Meet I/P-O/P: 3.75KVAC
	Isolation Resistance	Meet I/P-O/P:100M ohms / 500VDC at 25°C
	EMI Conduction & Radiation	Meet Compliance to EN55015,FCC part 15
	Harmonic Current	Meet Compliance to EN61000-3-2 Class C
	EMS Immunity	Meet Compliance to EN61000-4-2,3,4,5,6,11;EN61547
Others	MTBF	200K hours min. MIL-HDBK-217F(25°C)
	Dimension(L x W x H)	110 x 73.5 x 33mm; 379.3g/pcs
Note	1. All specifications not specially mentioned are measured at 240VAC and 25°C ambient temperature. 2. Ripple & Noise are measured at 20MHz bandwidth by using a 12" twisted pair-wire terminated with 0.1uf & 47uf parallel capacitor. 3. Current Tolerance: includes line regulation, load regulation and set-up tolerance.	

3-in-1 Dimming Control (DC/ PWM/ Resistance) for GP-RS35P-42CA

3-in-1 Dimmable Function Description

(1) 0-100KΩ Resistance Dimmable (Typical):

Resistor	Single-driver	Short	10K	20K	30K	40K	50K	60K	70K	80K	90K	100K
	Multi-driver	Short/N	10K/N	20K/N	30K/N	40K/N	50K/N	60K/N	70K/N	80K/N	90K/N	100K/N
Iout (%)		0%	10%	20%	30%	40%	50%	60%	70%	80%	90%	100%

- ※ The length of extended wire for DIM+/- shall not exceed 20 meters. (Wire ≤ 20m)
- ※ N=The number of dimmer drivers should not exceed 15.(N ≤ 15)
- ※ DIM+/- <7K or 7K/N Iout 0%

(2)DC: 0-10V Dimmable (Typical):

DIM(Voltage)	0V	1V	2V	3V	4V	5V	6V	7V	8V	9V	10V
Iout (%)	0%	10%	20%	30%	40%	50%	60%	70%	80%	90%	100%

- ※ DIM+/- <0.7V Iout 0%

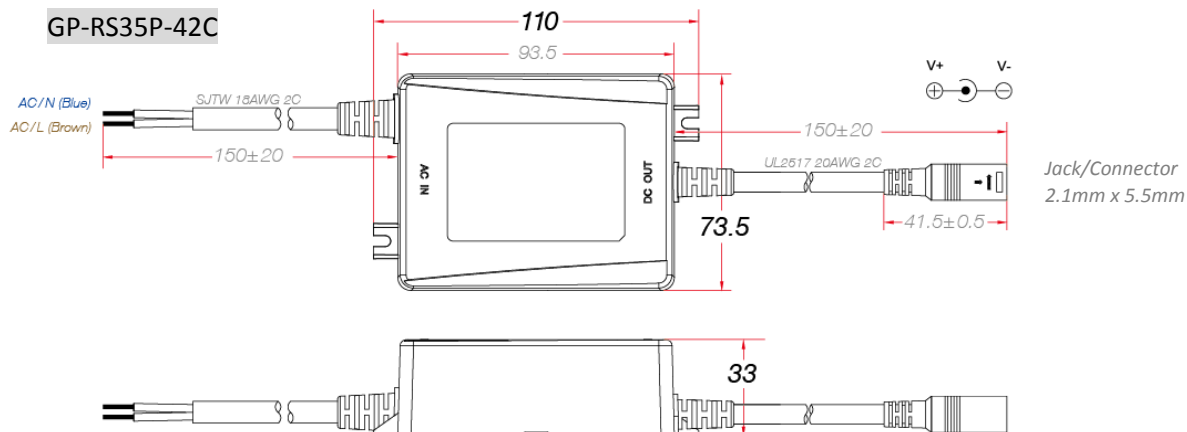
(3)10V / PWM Dimmable (Typical):

DIM(10V/PWM Duty)	0%	10%	20%	30%	40%	50%	60%	70%	80%	90%	100%
Iout (%)	0%	10%	20%	30%	40%	50%	60%	70%	80%	90%	100%

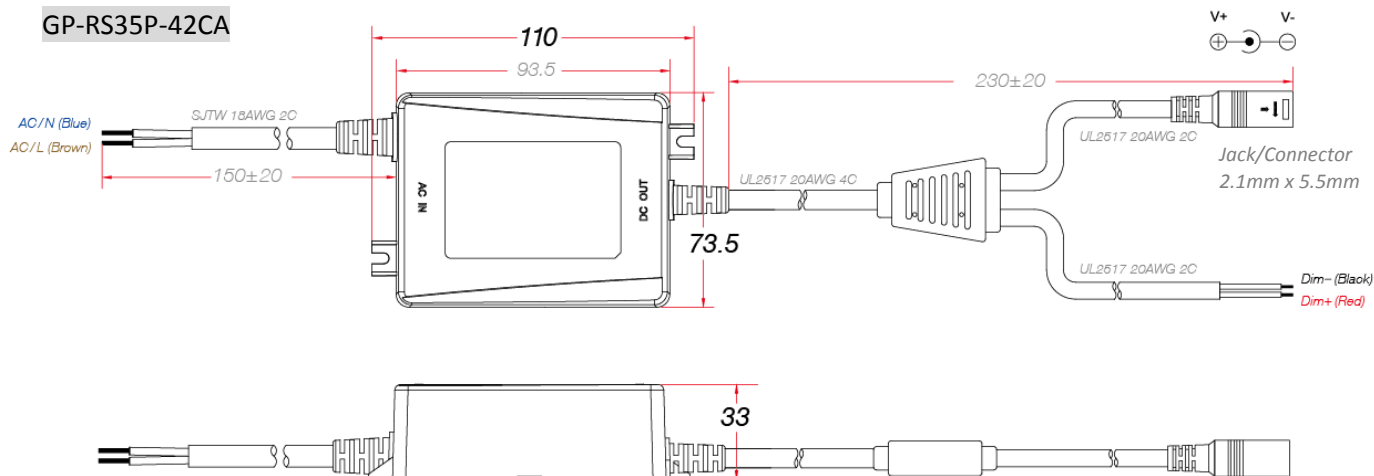
- ※ DIM+/- <7% Iout 0%

Mechanical Specification

GP-RS35P-42C



GP-RS35P-42CA



Photo



Derating Curve

