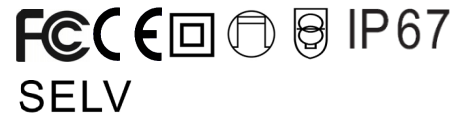


Model: GP-RS10P 3 In 1 Dimming (8~12 Watts single output)

Features

- Universal AC Input 90~264VAC.
- Constant Current Operation.
- For High Brightness Light-Emitting Diode Products.
- Fully Isolated Plastic Case & Double Insulation Cable Wire.
- Built-in 3 in 1 Dimming Design.
- No Load Consumption < 0.5W.
- Meet Application for ErP EU_1194_2012,Stage 3.
- Operation from -20°C ~60°C Full Load.
- Protections: OTP / SCP.
- Class II Power Design Without Earth Pin.
- IP67 Class.

Approvals



Size

114 * 37.4 * 25 mm (L*W*H)



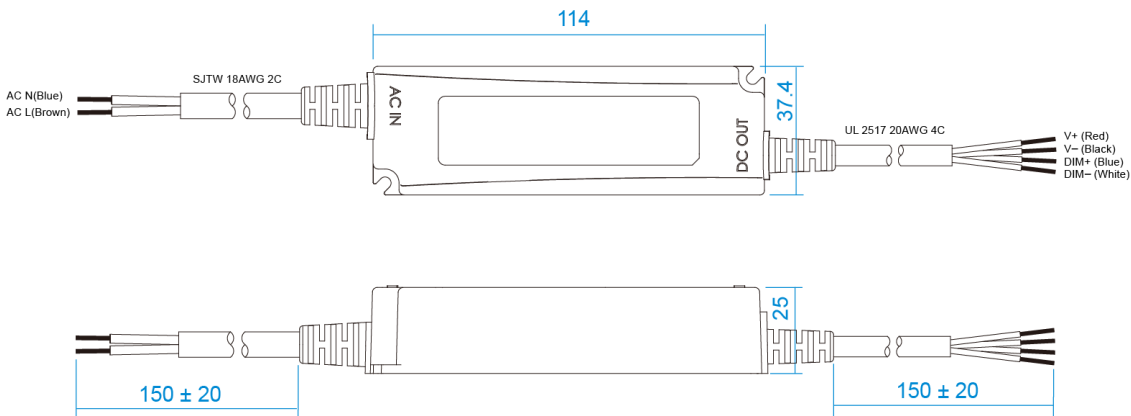
Specifications

A: Dimming

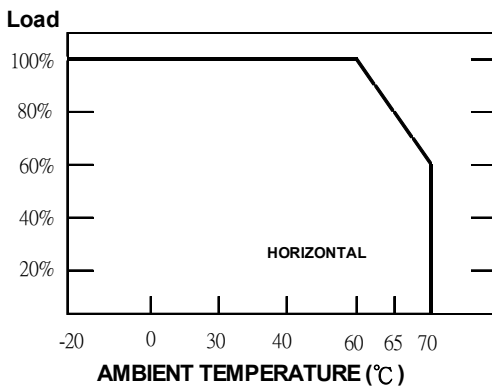
Model No.		GP-RS10P-36CA	GP-RS10P-24CA1
Output	DC Voltage	36V	24V
	Rated Current Range	350mA	350mA
	Rated Max. Power	12.6W	8.4W
	Efficiency	81%	80%
	DC Voltage Range	24~ 36V	14 ~ 24V
	Current Tolerance	±5%	±5%
	DC Dimming	DC 0-10V or Electronic Potentiometer 0-10V	
	PWM Dimming	Puls:Hi=10V Low=0V, Duty:0%~100%, Fsw 0.5-3KHZ	
	Resistance Dimming	0KΩ~100KΩ	
	No Load Consumption (Max.)	< 0.5 W at 230VAC	
	Set up Time (Max)	<500ms at full load / 110VAC &230VAC	
Input	Voltage Range	90VAC ~ 264VAC	
	Frequency Range	47 Hz ~ 63 Hz	
	Power Factor Correction	≥ 0.88 at 120VAC , ≥ 0.8 at 240VAC	
	AC Current	0.2A at 115VAC , 0.1A at 230VAC	
	Inrush Current	11A at 115VAC , 15A at 230VAC	
	Leakage Current	<0.25mA at 230VAC	
Protections	Over Temperature	Tc : 95°C ±10°C; Type : Hiccup Mode	
	Short Circuit	Type : Hiccup Mode	
Environment	Operation Temp.	-20°C ~60°C full load. (Refer to output load derating curve)	
	Operation Humidity	20% ~ 95% RH non-condensing.	
	Storage Temp.	-40 ~ +80°C	
	Storage Humidity	10% ~ 95% RH	
	Vibration	10 ~ 500 Hz, 2G 10 min. / 1 cycle, period for 60 min. each along X, Y, Z axes.	
Safety & EMC	Safety Standards	meet EN61347-1 : 2015, EN61347-2-13 : 2014	
	Withstand Voltage	I/P - O/P: 3.75 KVAC	

	Isolation Resistance	I/P-O/P : 100m ohms / 500VDC at 25°C.
	EMI Conduction & Radiation	meet EN55015,FCC part15 B
	EMS Immunity	meet EN61547(EN61000-4-2, 3, 4, 5, 6, 8,11), EN61000-3-2,EN61000-3-3
Others	MTBF	200K hours min.MIL-HDBK-217F(25°C)
	Dimension(L x W x H)	114 x 37.4 x 25mm; 194.2g/pcs
Note	1. All parameters NOT specially mentioned are measured at 230VAC input, rated load and 25°C ambient temperature. 2. Ripple & noise are measured at 20MHZ bandwidth oscilloscope and with 0.1uf & 47uf parallel capacitor. 3. The power supply is considered a component which will be installed a final equipment. The final equipment must be re-confirmed that it still meets EMC directives.	

Mechanical Specification



Derating Curve



3 in 1 Dimming Control (DC/ PWM/ Resistance)

3 in 1 Dimmable Function Description

(1) 0-100KΩ Resistance Dimmable (Typical):

Resistor	Single-driver	Short	10K	20K	30K	40K	50K	60K	70K	80K	90K	100K
	Multi-driver	Short/N	10K/N	20K/N	30K/N	40K/N	50K/N	60K/N	70K/N	80K/N	90K/N	100K/N
Iout (%)		0%	10%	20%	30%	40%	50%	60%	70%	80%	90%	100%

- ※ The length of extended wire for DIM+/- shall not exceed 20 meters. (Wire ≤ 20m)
- ※ N=The number of dimmer drivers should not exceed 15.(N ≤ 15)
- ※ DIM +/- < 7K or 7K/N Iout 0%

(2)DC: 0-10V Dimmable (Typical):

DIM(Voltage)	0V	1V	2V	3V	4V	5V	6V	7V	8V	9V	10V
lout (%)	0%	10%	20%	30%	40%	50%	60%	70%	80%	90%	100%

※ DIM +/- <0.7V lout 0%

(3)10V / PWM Dimmable (Typical):

DIM(10V/PWM Duty)	0%	10%	20%	30%	40%	50%	60%	70%	80%	90%	100%
lout (%)	0%	10%	20%	30%	40%	50%	60%	70%	80%	90%	100%

※ DIM +/- <7% lout 0%