



Power Your Idea

GlacialPower Other Solutions

LED 電源 產品 目錄 2020 February



▲ DC-DC Solutions

CC - Wired Cable (IP) 02

GP-LD Series (10.5W~17.5W)

GP-LD Series (2W~9W)

CC - Pin DIL Package 03

GP-LD Series (7W~24W)

▲ Open Frame

CV 04

GP-OS60N Series

▲ Wall Mount Type - Adapter

CC 04

GP-LC Series

CV 05

PAW024 Series

GP-AS18N Series

▲ Accessory

Electronic Potentiometer Dimmer 06

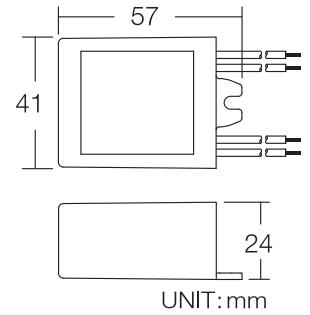
GL-EC013

GP-LD Series (10.5W~17.5W, DC Input 11~15 Vdc & 22~30Vdc)



GP-LD10 / GP-LD15 Series

Universal DC Input 11~15VDC and 22~30VDC.
 Operation from -20°C~40°C Full Load (Room TEMP).
 Cooling by Free Air Convection.
 Protections: SCP / UVLO / OVP / Reverse Input Power Protection.



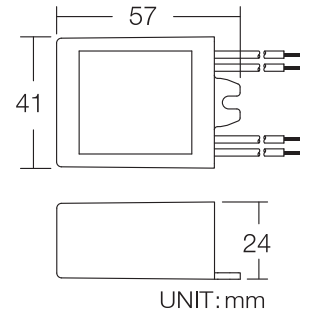
Model No. 型號	Output Voltage 輸出電壓	Rated Current 額定電流	Efficiency 效率	Tolerance(A) 公差	Watts 瓦
GP-LD10-30C	16~30VDC	350mA	84%	± 10%	10.5W
GP-LD15-30C	16~30VDC	500mA	84%	± 10%	15W
GP-LD15-24C	16~25VDC	700mA	84%	± 10%	17.5W

CE FC IP67



GP-LD15-40C Series

DC input 11~15VDC and 22~30VDC.
 Protection: SCP / OVP.
 UVLO (Under-Voltage Lockout Protection) Preventing Deep Discharge, Protecting the Battery.
 Reverse Input Power Protection (Device Will Not Start if Power Inputs are Reversed).
 Operating Temperature from -20°C~40°C at Full Load.



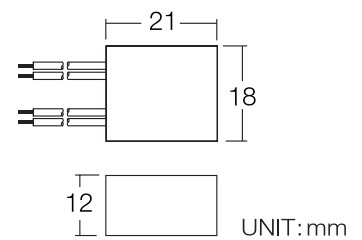
Model No. 型號	Output Voltage 輸出電壓	Rated Current 額定電流	Efficiency 效率	Tolerance(A) 公差	Watts 瓦
GP-LD15-40C	30~40VDC	350mA	84%	± 10%	14W

CE IP67

GP-LD Series (2W~9W, DC Input 10.5~13.5 Vdc)



For High Brightness Light-Emitting Diode Products.
 DC 12V /24V Input.
 Fully Isolated Plastic Case With Stripped.
 Operation from -10°C ~ 40°C Full Load.
 Protections: OVP / OLP/ SCP



Model No. 型號	Output Voltage 輸出電壓	Rated Current 額定電流	Efficiency 效率	Tolerance(A) 公差	Watts 瓦
GP-LD3510-12	3~10VDC	350mA	80%	± 10%	2W
GP-LD7012-12	3~12VDC	650mA	80%	± 10%	9W

GP-LD Series (2W ~ 9W, DC Input 22~26 Vdc)

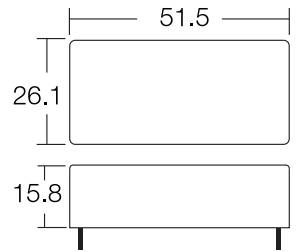
Model No. 型號	Output Voltage 輸出電壓	Rated Current 額定電流	Efficiency 效率	Tolerance(A) 公差	Watts 瓦
GP-LD3508-24	3~8VDC	350mA	80%	± 10%	2W
GP-LD3520-24	3~20VDC	350mA	80%	± 10%	5W
GP-LD7012-24	3~12VDC	650mA	80%	± 10%	9W

GP-LD Series (Step-Up ; 350mA & 700mA)



GP-LDxxxx-0B Series

Wide Input Voltage Range:9V~36V.
 Driver LED Strings of up to 48V. (14V~48V)
 PWM/Digital Dimming and Analog Voltage Dimming.
 Open Voltage Protection / Short LED Protection.
 RoHS-Compliant 2"x1" Case Package Power LED Driver.



UNIT:mm

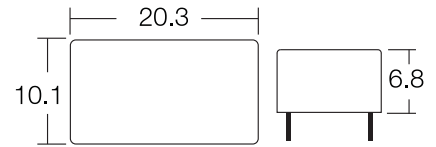
Model No. 型號	Output Voltage 輸出電壓	Rated Current 額定電流	Connector type 連接器類型	Tolerance(A) 公差	Watts 瓦
GP-LD3548-0B	14~48V	350mA	Module	± 5%	16.8W
GP-LD7048-0B	14~32V	700mA	Module	± 5%	33.6W
	23~48V				

GP-LD Series (Step-Down ; Vi 7~30V, Vo 2~28V, 250~1000mA)



GP-LDxxxx-0M Series

Wide Input Voltage Range:7V to 30V.
 Driver LED Strings of up to 28V. (2V~28V)
 PWM / Digital Dimming and Analog Voltage Dimming.
 Open and Short LED Protection.
 RoHS-Compliant 14 Pin DIL Package.(Row Dist : 5.08mm)

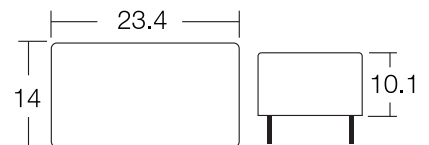


UNIT:mm

Model No. 型號	Output Voltage 輸出電壓	Rated Current 額定電流	Connector type 連接器類型	Tolerance(A) 公差	Watts 瓦
GP-LD2528-0M	2~28V	250mA	Module	± 8%	7W
GP-LD3528-0M	2~28V	350mA	Module	± 5%	8W

GP-LDxxxx-0M Series

Wide Input Voltage Range:7V to 30V.
 Driver LED Strings of up to 28V. (2V~28V)
 PWM / Digital Dimming and Analog Voltage Dimming.
 Open and Short LED Protection.
 RoHS-Compliant 16 Pin DIL Package.



UNIT:mm

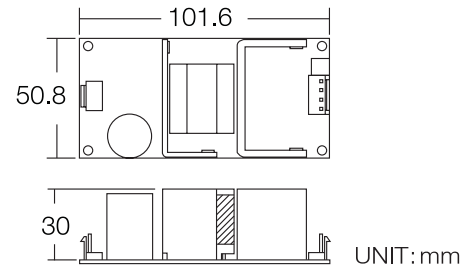
Model No. 型號	Output Voltage 輸出電壓	Rated Current 額定電流	Connector type 連接器類型	Tolerance(A) 公差	Watts 瓦
GP-LD7028-0M	2~28V	700mA	Module	± 7%	20W
GP-LDA028-0M	2~28V	1000mA	Module	± 7%	24W

04 Open Frame **CV**

GP-OS60N Series



Universal AC Input 90~264VAC.
 4" x 2" Miniature Size.
 Operation from -20°C~ 50°C Full Load.
 Protections: SCP / OVP / OLP.
 No Load Power Consumption < 0.75W.
 105°C Main Electrolytic Capacitor.



Model No. 型號	Output Voltage 輸出電壓	Rated Current 額定電流	Efficiency 效率	Tolerance(V) 公差	Watts 瓦
GP-OS60N-3.3	3.3VDC	0~10A	76%	± 2%	33W
GP-OS60N-05	5VDC	0~10A	80%	± 2%	50W
GP-OS60N-12	12VDC	0~5A	83%	± 2%	60W
GP-OS60N-15	15VDC	0~4A	84%	± 2%	60W
GP-OS60N-24	24VDC	0~2.5A	85%	± 1%	60W
GP-OS60N-48	48VDC	0~1.25A	86%	± 1%	60W



Wall Mount Type - Adapter **CC**

GP-LC Series

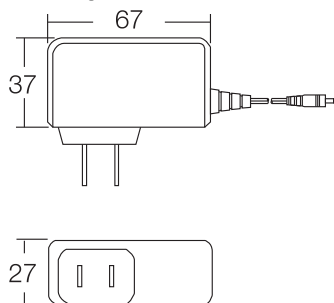


GP-LCxxxx-0A Series

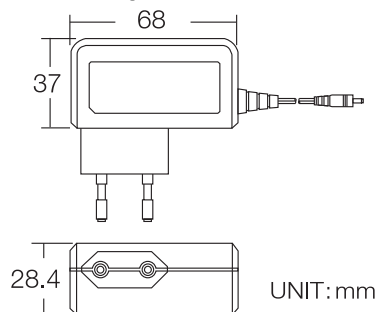
Universal AC Input 90~264VAC.
 Fully Isolated Wall Mounted Adaptor.
 Operation from -10°C~40°C at Full Load.
 Protections: OLP/ SCP.
 Class II Power Design Without Earth Pin.
 Tc Point Measured, Max Case Temperature: 70°C.

Model No. 型號	Output Voltage 輸出電壓	Rated Current 額定電流	Efficiency 效率	Tolerance(A) 公差	Watts 瓦
GP-LC3536-0A	3~36VDC	350mA	75%	± 6%	8W
GP-LC7021-0A	3~21VDC	700mA	75%	± 6%	9W

US Plug:



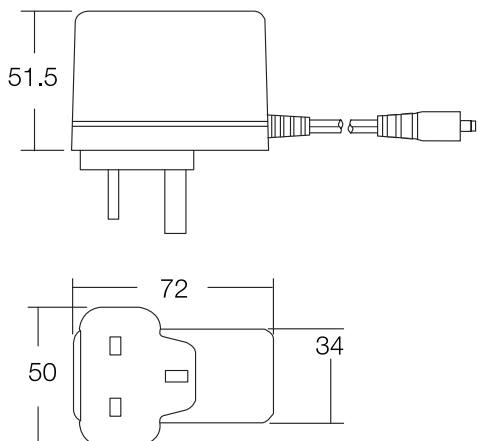
Euro Plug:



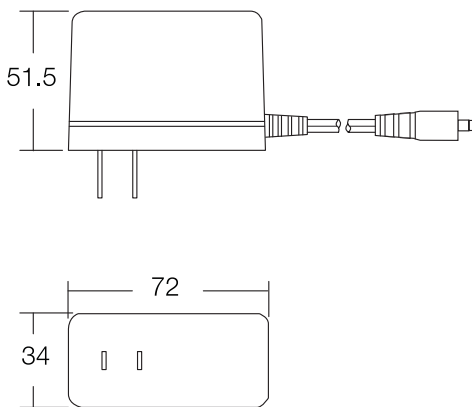
PAW024 Series



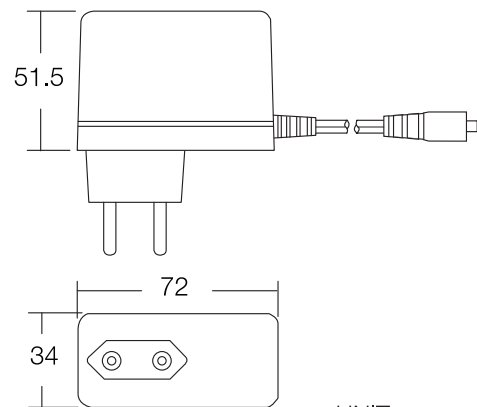
UK Plug:



UL Plug:



EU Plug:

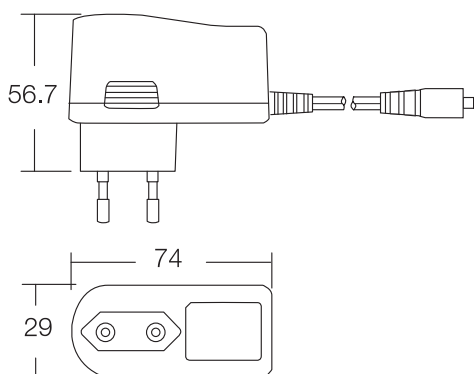


UNIT:mm

Model No. 型號	Output Voltage 輸出電壓	Rated Current 額定電流	Efficiency 效率	Tolerance(V) 公差	Watts 瓦
PAW024-12	12V	2A	77%	± 5%	24W
PAW024-24	24V	1A	78%	± 5%	24W



AS18N Series

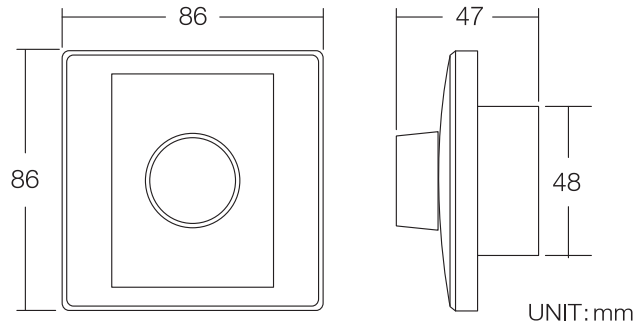


Model No. 型號	Output Voltage 輸出電壓	Rated Current 額定電流	Efficiency 效率	Watts 瓦
GP-AS18N-12V-AXE	12V	0~1500mA	85%	18W
GP-AS18N-24V-AXE	24V	0~750mA	85%	18W



Electronic Potentiometer Dimmer

GL-EC013



The Installation Must be Carried Out by an Electrical Specialist in Accordance with International and National Standards.

The Max. Load Connected to the Driver is 10V/40mA.

Designed for 1-10V Regulating and Compatible all 0/1-10V Interface Dimmable Electronic LED Driver & Ballasts & Transformers and Power Dimmers.

Place the Driver Away from Direct Heat Sources and in Well-Aired Spaces. If the Driver is Built-in, Sufficient Ventilation Must be Ensured.

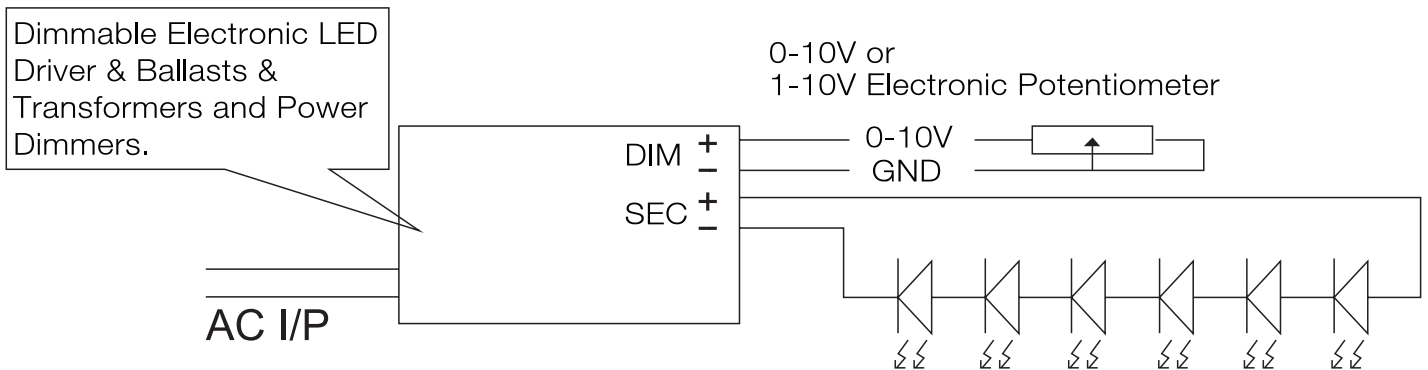
Minimum Output Connect Cable Size is 1007#20 AWG; Maximum Output Connect Cable Length: 50M.

When Connecting the Electronic LED Driver & Ballasts & Transformers and Power Dimmers., Careful Attention Should be Paid to Connecting.

Model No.	Max.Control Voltage	Min.Control Voltage	Min.Control Current	Ambient Temperature
GL-EC013	10VDC	0.5VDC	40mA	-10 ~ +40°C



Wiring Diagram





website



facebook

GlacialTech®

洋鑫科技股份有限公司 **GlacialTech Inc.**

地址：新北市中和區235中山路二段352號7樓
7F, No. 352, Sec. 2, Zhongshan Rd., Zhonghe Dist.,
New Taipei City, Taiwan, 235

Tel : +886 2 2244-1227 Fax : +886 2 2244-1228

Email : sales@GlacialTech.com Website : www.GlacialTech.com

