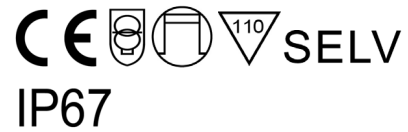


Model: GP-LS60P-42C 1E

Features

- Universal AC Input, from 90 up to 305VAC.
- Comes with Active Power Factor Correction.
- Constant Current Mode.
- IP67 Rated Enclosure, Provides Protection from Water and Dust.
- Waterproof IP68 Rated Connectors, for Convenient Maintenance.
- OCP, OVP, OTP, and SCP Safety Features are Built in.
- Fast Starts up: Less Than 0.5 Seconds at 230VAC.
- Consumes Less Than 0.5W in No Load Conditions.
- Class I Metal Case.

Approvals



Size

199.3 * 49.5 * 40.5 mm (L*W*H)

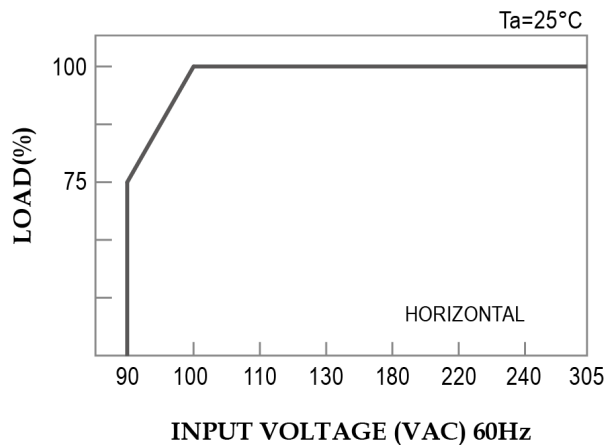
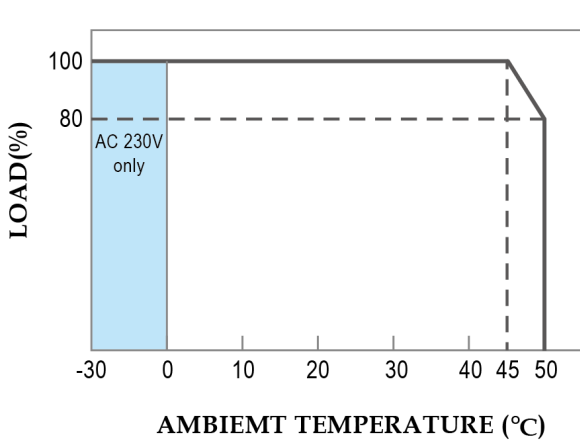


Specifications

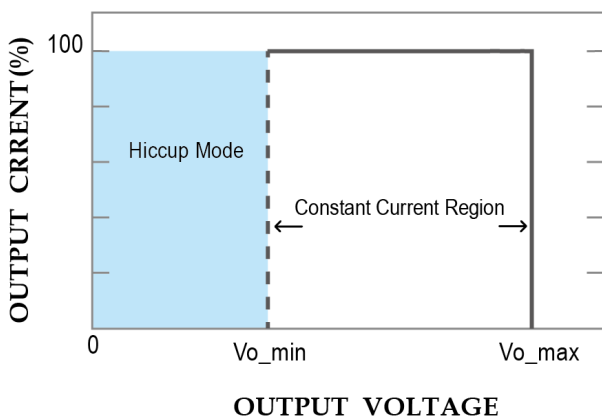
| Model No. | | GP-LS60P-42C 1E |
|--------------------|--|--|
| Output | DC Voltage | 42V |
| | Constant Current Region <small>Note3</small> | 28 ~ 42V |
| | Rated Current | 1.4A |
| | Current Tolerance | ± 5% |
| | Rated Power | 58.8W |
| | Ripple & Noise (Max.) <small>Note2</small> | 250mV |
| | Efficiency at 240VAC(Typ.) | 87% |
| | Voltage Tolerance <small>Note4</small> | -1% ~ +5% |
| | DC Dimming (Optional) | DC 0-10V or Electronic Potentiometer 0-10V |
| | PWM Dimming (Optional) | Puls: Hi=10V Low=0V, Duty: 0%~100%, Fsw 0.5-3KHz |
| | Resistance Dimming (Optional) | 0KΩ~100KΩ |
| Set up time (Max.) | < 0.5 Sec / 230VAC / full load | |
| Input | Voltage Range | 90 ~ 305VAC |
| | Rated Voltage | 100 ~ 240VAC / 277VAC (for North America Only) |
| | Frequency Range | 47 Hz ~ 63 Hz |
| | AC Current (Max.) | 0.8A at 100~240VAC/ 0.4A at 277VAC (for North American Only) |
| | Power Factor | ≥ 0.98 at 120VAC / ≥ 0.94 at 240VAC / ≥ 0.92 at 277VAC, at full load |
| | No Load Consumption (Max.) | < 0.5W at 230VAC |
| | Inrush Current (Max.) | Cold Start 70A at 240VAC |
| | Leakage Current | <0.5mA / 240VAC |
| Protections | Over Current | 95 ~ 105% rated current. Type: Auto-recovery after fault condition disappeared. |
| | Short Circuit | Type: Hiccup and recovers after fault condition disappeared. |
| | Over Voltage | 46.2~54.6V Type: Latch mode (Re-power on to recover). |
| | Over Temperature | RT2: 105 ± 10°C Type: Latch mode (Re-power on to recover). |

| | | |
|--------------|--|--|
| Environment | Operation Temp. | -30°C ~50°C (Refer derating curve) |
| | Operation Humidity | 20% ~ 90% RH non-condensing. |
| | Storage Temp. | -40 ~ +60°C |
| | Storage Humidity | 10% ~ 90% RH |
| | Vibration | 10~500 Hz, 2G 10 min./1 cycle, period for 60 min. each along X, Y, Z axes. |
| Safety & EMC | Safety Standards | EN61347-1, EN61347-2-13 , Approved. |
| | Withstand Voltage | I/P - O/P: 3750VAC |
| | Isolation Resistance | I/P-O/P:100M ohms / 500VDC at 25°C |
| | EMI Conduction & Radiation | Compliance to EN55015,FCC part 15 |
| | Harmonic Current | Compliance to EN61000-3-2 Class C,EN61000-3-3 |
| | EMS Immunity | Compliance to EN61000-4-2,3,4,5,6,11; EN61547 |
| Others | MTBF | 200K hours min. MIL-HDBK-217F(25°C) |
| | Dimension(L x W x H) | 199.3 x 49.5 x 40.5mm; 763g/pcs |
| Note | <ol style="list-style-type: none"> 1. All specifications not specially mentioned are measured at 240VAC and 25°C ambient temperature. 2. Ripple & Noise are measured at 20MHz bandwidth by using a 12" twisted pair-wire terminated with 0.1uf & 47uf parallel capacitor. 3. Constant current operation region is the suitable operation region for LED related applications, but please reconfirms special electrical requirements for some specific system design. 4. Voltage Tolerance: includes line regulation, load regulation and set-up tolerance. 5. Please refer to derating curve. | |

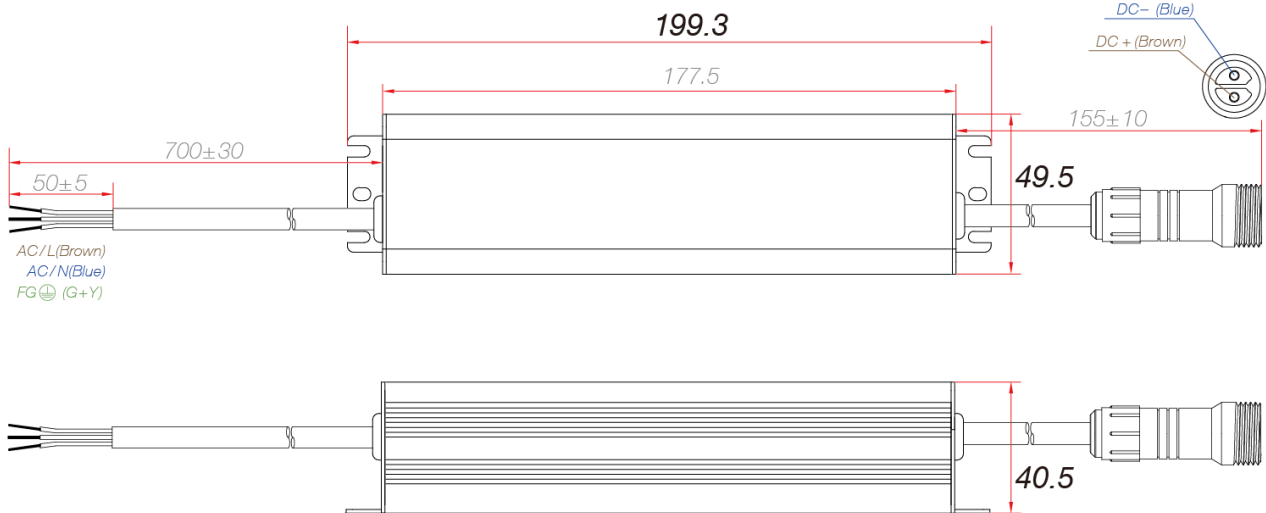
Derating Curve



Constant Voltage / Constant Current Curve



Mechanical Specification



Photo

