

# LED DRIVER PRODUCTS

LED 電源產品目錄

JULY 2022

絕佳的散熱設計  
優良的高穩定品質



Power Your Idea



**GlacialTech®**

洋鑫科技股份有限公司 **GlacialTech Inc.**

地址：新北市中和區235中山路二段352號7樓  
7F, No. 352, Sec. 2, Zhongshan Rd., Zhonghe Dist.,  
New Taipei City, Taiwan, 235

Tel: +886 2 2244-1227 Fax: +886 2 2244-1228

Email: sales@GlacialTech.com

Website: www.GlacialTech.com



[www.GlacialPower.com](http://www.GlacialPower.com)



facebook

LED CV Driver - Plastic Housing / CV - IP ■ GP-CVP Series (12W ~ 100W)



75.3 x 36 x 24 mm

■ GP-CVP012N Series 90~264VAC

Model No. 型號	Output Voltage 輸出電壓	Rated Current 額定電流	Efficiency 效率	Tolerance(V) 公差	Watts 瓦
GP-CVP012N-12V-P02	12VDC	0~1000mA	81%	± 5%	12W
GP-CVP012N-24V-P02	24VDC	0~500mA	83%	± 5%	12W

CE FC SELV IP67



110 x 35 x 25 mm

■ GP-CVP036N Series 90~264VAC

Model No. 型號	Output Voltage 輸出電壓	Rated Current 額定電流	Efficiency 效率	Tolerance(V) 公差	Watts 瓦
GP-CVP036N-12V-P02	12VDC	0~3A	83%	± 5%	36W
GP-CVP036N-24V-P02	24VDC	0~1.5A	85%	± 5%	36W

CE FC SELV IP67



163 x 44.2 x 32.5 mm

■ GP-CVP060N Series 90~264VAC

Model No. 型號	Output Voltage 輸出電壓	Rated Current 額定電流	Efficiency 效率	Tolerance(V) 公差	Watts 瓦
GP-CVP060N-05V-P02	5VDC	0~8A	76%	± 5%	40W
GP-CVP060N-12V-P02	12VDC	0~5A	85%	± 5%	60W
GP-CVP060N-24V-P02	24VDC	0~2.5A	86%	± 5%	60W

CE FC SELV IP67



188 x 53.6 x 30 mm

■ GP-CVP100P Series 90~264VAC **Active PFC**

Model No. 型號	Output Voltage 輸出電壓	Rated Current 額定電流	Efficiency 效率	Tolerance(V) 公差	Watts 瓦
GP-CVP100P-12V-P02	12VDC	0~8.3A	89%	± 5%	99.6W
GP-CVP100P-24V-P02	24VDC	0~4.2A	90%	± 5%	100.8W
GP-CVP100P-36V-P02	36VDC	0~2.8A	90%	± 5%	100.8W
GP-CVP100P-48V-P02	48VDC	0~2.1A	90%	± 5%	100.8W

CE SELV IP66

LED CV Driver - Plastic Housing / CV - IP ■ GP-LE Series (100W ~ 150W)



187.5 x 52 x 37 mm

■ GP-LE100N Series 90~264VAC

Model No. 型號	Output Voltage 輸出電壓	Rated Current 額定電流	Efficiency 效率	Tolerance(V) 公差	Watts 瓦
GP-LE100N-12V	12VDC	0~8.5A	83%	± 6%	102W
GP-LE100N-24V	24VDC	0~4.2A	86%	± 5%	100W

CE SELV c us IP67



195 x 63 x 38 mm

■ GP-LE150N Series 180~264VAC

Model No. 型號	Output Voltage 輸出電壓	Rated Current 額定電流	Efficiency 效率	Tolerance(V) 公差	Watts 瓦
GP-LE150N-12V	12VDC	0~10A	87%	± 5%	120W
GP-LE150N-24V	24VDC	0~6.25A	89%	± 5%	150W

CE SELV IP67



86 x 45 x 26 mm

■ GP-CVP012N Series 90~264VAC

Model No. 型號	Output Voltage 輸出電壓	Rated Current 額定電流	Efficiency 效率	Tolerance(V) 公差	Watts 瓦
GP-CVP012N-12V-T02	12VDC	0~1000mA	81%	± 5%	12W
GP-CVP012N-24V-T02	24VDC	0~500mA	83%	± 5%	12W



96 x 44.3 x 30 mm

■ GP-CVP036N Series 90~264VAC

Model No. 型號	Output Voltage 輸出電壓	Rated Current 額定電流	Efficiency 效率	Tolerance(V) 公差	Watts 瓦
GP-CVP036N-12V-T12	12VDC	0~3A	83%	± 5%	36W
GP-CVP036N-24V-T12	24VDC	0~1.5A	85%	± 5%	36W



175.7 x 45.9 x 30 mm

■ GP-CVP060P Series 90~264VAC Active PFC

Model No. 型號	Output Voltage 輸出電壓	Rated Current 額定電流	Efficiency 效率	Tolerance(V) 公差	Watts 瓦
GP-CVP060P-12V-T02	12VDC	0~5A	86.5%	± 5%	60W
GP-CVP060P-24V-T02	24VDC	0~2.5A	89%	± 5%	60W
GP-CVP060P-36V-T02	36VDC	0~1.66A	89%	± 5%	60W
GP-CVP060P-48V-T02	48VDC	0~1.25A	89%	± 5%	60W



204 x 53.5 x 30 mm

■ GP-CVP100P Series 90~264VAC Active PFC

Model No. 型號	Output Voltage 輸出電壓	Rated Current 額定電流	Efficiency 效率	Tolerance(V) 公差	Watts 瓦
GP-CVP100P-12V-T02	12VDC	0~8.3A	88%	± 5%	99.6W
GP-CVP100P-24V-T02	24VDC	0~4.2A	90%	± 5%	100.8W
GP-CVP100P-36V-T02	36VDC	0~2.8A	90%	± 5%	100.8W
GP-CVP100P-48V-T02	48VDC	0~2.1A	90%	± 5%	100.8W



204 x 53.5 x 30 mm

■ GP-CVP150P Series 200~264VAC Active PFC

Model No. 型號	Output Voltage 輸出電壓	Rated Current 額定電流	Efficiency 效率	Tolerance(V) 公差	Watts 瓦
GP-CVP150P-12V-T01	12VDC	0~11A	89%	± 5%	132W
GP-CVP150P-24V-T01	24VDC	0~6.25A	91%	± 5%	150W
GP-CVP150P-36V-T01	36VDC	0~4.2A	91%	± 5%	151.2W
GP-CVP150P-48V-T01	48VDC	0~3.15A	91.5%	± 5%	151.2W

■ GP-CVP150P Series 90~180VAC Active PFC

GP-CVP150P-12V-T01	12VDC	0~10A	89%	± 5%	120W
GP-CVP150P-24V-T01	24VDC	0~5A	91%	± 5%	120W
GP-CVP150P-36V-T01	36VDC	0~3.35A	91%	± 5%	120.6W
GP-CVP150P-48V-T01	48VDC	0~2.5A	91.5%	± 5%	120W



## LED CV Driver - Plastic Housing / CV Triac Dimming ■ GP-CVP Series (40W~75W)



107.5 x 43.5 x 32 mm (40W)  
138 x 47 x 32 mm (75W)

### ■ GP-CVP040N /GP-CVP075N Series 205~256VAC (High Voltage Area)

Model No. 型號	Output Voltage 輸出電壓	Rated Current 額定電流	Efficiency 效率	Tolerance(A) 公差	Watts 瓦
GP-CVP040N-12VH-P02	12VDC	3.4A	82%	± 5%	40.8W
GP-CVP040N-24VH-P02	24VDC	1.7A	84%	± 5%	40.8W

GP-CVP075N-12VH-P02	12VDC	5A	83%	± 5%	60W
GP-CVP075N-24VH-P02	24VDC	3.2A	84%	± 5%	76.8W

CE SELV IP65



107.5 x 43.5 x 32 mm (40W)  
138 x 47 x 32 mm (60W)  
138 x 47 x 32 mm (75W)

### ■ GP-CVP040N /GP-CVP060N /GP-CVP075N Series 108~132VAC (Low Voltage Area)

Model No. 型號	Output Voltage 輸出電壓	Rated Current 額定電流	Efficiency 效率	Tolerance(A) 公差	Watts 瓦
GP-CVP040N-12VL-P02	12VDC	3.4A	82%	± 5%	40.8W
GP-CVP040N-24VL-P02	24VDC	1.7A	84%	± 5%	40.8W

GP-CVP060N-12VL-P02	12VDC	5A	83%	± 5%	60W
---------------------	-------	----	-----	------	-----

GP-CVP075N-24VL-P02	24VDC	3.2A	83%	± 5%	76.8W
---------------------	-------	------	-----	------	-------

FC IP65 c

## LED CV Driver - Metal Housing (PFC, IP67) / CV - IP ■ GP-CVM Series (100W~600W)



230 x 80.3 x 33.5 mm (100W)  
230 x 80.3 x 33.5 mm (200W)

### ■ GP-CVM100P Series 90~305VAC

Model No. 型號	Output Voltage 輸出電壓	Rated Current 額定電流	Efficiency 效率	Tolerance(V) 公差	Watts 瓦
GP-CVM100P-12V	12VDC	0~8.3A	93%	± 5%	99.6W
GP-CVM100P-24V	24VDC	0~4.2A	93%	± 5%	100.8W
GP-CVM100P-36V	36VDC	0~2.8A	93%	± 5%	100.8W
GP-CVM100P-48V	48VDC	0~2.1A	93%	± 5%	100.8W

CE FC SELV c IP67

### ■ CP-CVM200P Series 90~264VAC

GP-CVM200P-12V	12VDC	0~16.7A	92.5%	± 5%	200.4W
GP-CVM200P-24V	24VDC	0~8.3A	93%	± 5%	199.2W
GP-CVM200P-36V	36VDC	0~5.5A	93%	± 5%	198W
GP-CVM200P-48V	48VDC	0~4.15A	93%	± 5%	199.2W

CE FC SELV IP67

### ■ GP-CVM300P-12V 90~305VAC

Model No. 型號	Output Voltage 輸出電壓	Rated Current 額定電流	Efficiency 效率	Tolerance(V) 公差	Watts 瓦
GP-CVM300P-12V	12VDC	0~20.8A	92.5%	± 5%	249.6W

CE FC SELV c IP67

### ■ GP-CVM300P-24V~48V 90~264VAC

GP-CVM300P-24V	24VDC	0~12.5A	94%	± 5%	300W
GP-CVM300P-36V	36VDC	0~8.3A	93%	± 5%	298.8W
GP-CVM300P-48V	48VDC	0~6.25A	93%	± 5%	300W

CE FC SELV IP67



270 x 98 x 38.5 mm (12V)  
250 x 98 x 38.5 mm (24V, 36V, 48V)

**LED CV Driver - Metal Housing (PFC, IP67) CV - IP ■ GP-CVM Series (100W~600W)**



300 x 98 x 38.5 mm

**GP-CVM400P-12V 90~305VAC**

Model No. 型號	Output Voltage 輸出電壓	Rated Current 額定電流	Efficiency 效率	Tolerance(V) 公差	Watts 瓦
GP-CVM400P-12V	12VDC	0~26.7A	92.5%	± 5%	320.4W

CE FC SELV cULus IP67 110

**GP-CVM400P-24V~48V 90~264VAC**

GP-CVM400P-24V	24VDC	0~16.7A	93%	± 5%	400W
GP-CVM400P-36V	36VDC	0~11.1A	93%	± 5%	399.6W
GP-CVM400P-48V	48VDC	0~8.3A	93%	± 5%	398.4W

CE FC SELV IP67 110



300 x 138 x 47 mm

**GP-CVM600P Series 90~305VAC**

Model No. 型號	Output Voltage 輸出電壓	Rated Current 額定電流	Efficiency 效率	Tolerance(V) 公差	Watts 瓦
GP-CVM600P-12V	12VDC	0~40A	92.5%	± 5%	480W
GP-CVM600P-24V	24VDC	0~25A	95%	± 5%	600W
GP-CVM600P-36V	36VDC	0~16.66A	95.5%	± 5%	599.76W
GP-CVM600P-48V	48VDC	0~12.5A	96%	± 5%	600W
GP-CVM600P-54V	54VDC	0~11.1A	96%	± 5%	599.4W

CE FC SELV IP67 110

**LED CV Driver - Metal Housing (PFC, IP67) CV - Dimming (3-in-1, DC 0-10V, PWM, Resistance)**

**GP-CVM Series (100W~600W)**



230 x 80.3 x 33.5 mm

**GP-CVM100P Series 90~305VAC**

Model No. 型號	Output Voltage 輸出電壓	Rated Current 額定電流	Efficiency 效率	Tolerance(V) 公差	Watts 瓦
GP-CVM100P-12VA	12VDC	0~8.3A	93%	± 5%	99.6W
GP-CVM100P-24VA	24VDC	0~4.2A	93%	± 5%	100.8W
GP-CVM100P-36VA	36VDC	0~2.8A	93%	± 5%	100.8W
GP-CVM100P-48VA	48VDC	0~2.1A	93%	± 5%	100.8W

CE FC SELV cULus IP67 110



230 x 80.3 x 33.5 mm

**GP-CVM200P Series 90~305VAC**

Model No. 型號	Output Voltage 輸出電壓	Rated Current 額定電流	Efficiency 效率	Tolerance(V) 公差	Watts 瓦
GP-CVM200P-12VA	12VDC	0~16.7A	92%	± 5%	200.4W
GP-CVM200P-24VA	24VDC	0~8.3A	93%	± 5%	199.2W
GP-CVM200P-36VA	36VDC	0~5.5A	93.5%	± 5%	198W
GP-CVM200P-48VA	48VDC	0~4.15A	94%	± 5%	199.2W

CE FC SELV cULus IP67 110



270 x 98 x 38.5 mm

**GP-CVM300P Series 90~305VAC**

Model No. 型號	Output Voltage 輸出電壓	Rated Current 額定電流	Efficiency 效率	Tolerance(V) 公差	Watts 瓦
GP-CVM300P-12VA	12VDC	0~20.8A	92.5%	± 5%	249.6W
GP-CVM300P-24VA	24VDC	0~12.5A	94%	± 5%	300W
GP-CVM300P-36VA	36VDC	0~8.3A	94%	± 5%	298.8W
GP-CVM300P-48VA	48VDC	0~6.25A	94.5%	± 5%	300W

CE FC SELV cULus IP67 110

**LED CV Driver - Metal Housing (PFC, IP67) CV - Dimming (3-in-1, DC 0-10V, PWM, Resistance)**

**■ GP-CVM Series (100W~600W)**



300 x 98 x 38.5 mm

**■ GP-CVM400P Series 90~305VAC**

Model No. 型號	Output Voltage 輸出電壓	Rated Current 額定電流	Efficiency 效率	Tolerance(V) 公差	Watts 瓦
GP-CVM400P-12VA	12VDC	0~26.7A	92.5%	± 5%	320.4W
GP-CVM400P-24VA	24VDC	0~16.7A	93%	± 5%	400.8W
GP-CVM400P-36VA	36VDC	0~11.1A	93%	± 5%	399.6W
GP-CVM400P-48VA	48VDC	0~8.3A	93.5%	± 5%	398.4W



300 x 138 x 47 mm

**■ GP-CVM600P Series 90~305VAC**

Model No. 型號	Output Voltage 輸出電壓	Rated Current 額定電流	Efficiency 效率	Tolerance(V) 公差	Watts 瓦
GP-CVM600P-12VA	12VDC	0~40A	92.5%	± 5%	480W
GP-CVM600P-24VA	24VDC	0~25A	95%	± 5%	600W
GP-CVM600P-36VA	36VDC	0~16.66A	95.5%	± 5%	599.76W
GP-CVM600P-48VA	48VDC	0~12.5A	96%	± 5%	600W
GP-CVM600P-54VA	54VDC	0~11.1A	96%	± 5%	599.4W



**LED CV Driver - Metal Housing (PFC, IP67) CV - Dimming (DALI) ■ GP-CVM Series (100W~600W)**



230 x 80.3 x 33.5 mm

**■ GP-CVM100P Series 90~305VAC**

Model No. 型號	Output Voltage 輸出電壓	Rated Current 額定電流	Efficiency 效率	Tolerance(V) 公差	Watts 瓦
GP-CVM100P-12VD2	12VDC	0~8.3A	93%	± 5%	99.6W
GP-CVM100P-24VD2	24VDC	0~4.2A	93%	± 5%	100.8W
GP-CVM100P-36VD2	36VDC	0~2.8A	93%	± 5%	100.8W
GP-CVM100P-48VD2	48VDC	0~2.1A	93%	± 5%	100.8W



230 x 80.3 x 33.5 mm

**■ GP-CVM200P Series 90~305VAC**

Model No. 型號	Output Voltage 輸出電壓	Rated Current 額定電流	Efficiency 效率	Tolerance(V) 公差	Watts 瓦
GP-CVM200P-12VD2	12VDC	0~16.7A	92%	± 5%	200.4W
GP-CVM200P-24VD2	24VDC	0~8.3A	93%	± 5%	199.2W
GP-CVM200P-36VD2	36VDC	0~5.5A	93.5%	± 5%	198W
GP-CVM200P-48VD2	48VDC	0~4.15A	94%	± 5%	199.2W



270 x 98 x 38.5 mm

**■ GP-CVM300P Series 90~305VAC**

Model No. 型號	Output Voltage 輸出電壓	Rated Current 額定電流	Efficiency 效率	Tolerance(V) 公差	Watts 瓦
GP-CVM300P-12VD2	12VDC	0~20.8A	92.5%	± 5%	249.6W
GP-CVM300P-24VD2	24VDC	0~12.5A	94%	± 5%	300W
GP-CVM300P-36VD2	36VDC	0~8.3A	94%	± 5%	298.8W
GP-CVM300P-48VD2	48VDC	0~6.25A	94.5%	± 5%	300W





300 x 98 x 38.5 mm

■ GP-CVM400P Series 90~305VAC

Model No. 型號	Output Voltage 輸出電壓	Rated Current 額定電流	Efficiency 效率	Tolerance(V) 公差	Watts 瓦
GP-CVM400P-12VD2	12VDC	0~26.7A	92.5%	± 5%	320.4W
GP-CVM400P-24VD2	24VDC	0~16.7A	93%	± 5%	400.8W
GP-CVM400P-36VD2	36VDC	0~11.1A	93%	± 5%	399.6W
GP-CVM400P-48VD2	48VDC	0~8.3A	93.5%	± 5%	398.4W



300 x 138 x 47 mm

■ GP-CVM600P Series 90~305VAC

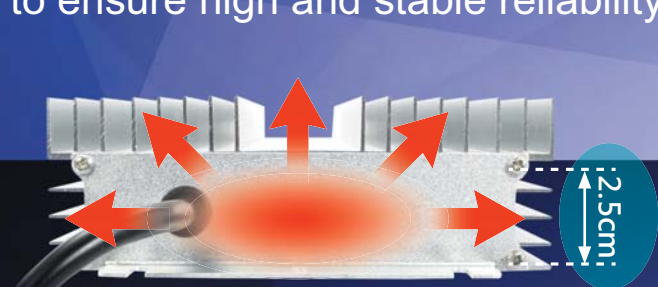
Model No. 型號	Output Voltage 輸出電壓	Rated Current 額定電流	Efficiency 效率	Tolerance(V) 公差	Watts 瓦
GP-CVM600P-12VD2	12VDC	0~40A	92.5%	± 5%	480W
GP-CVM600P-24VD2	24VDC	0~25A	95%	± 5%	600W
GP-CVM600P-36VD2	36VDC	0~16.66A	95.5%	± 5%	599.76W
GP-CVM600P-48VD2	48VDC	0~12.5A	96%	± 5%	600W
GP-CVM600P-54VD2	54VDC	0~11.1A	96%	± 5%	599.4W



# 洋鑫科技 Glacial Power®

GP-CVM LED 驅動電源，高散熱設計的原理  
確保長期使用的高穩定品質

The excellent heat dissipation design of GlacialPower GP-CVM LED driver to ensure high and stable reliability for long-term use.



極低高度設計 –  
快速將內部的熱傳導到外部四周  
的鋁殼進行散熱

Very low profile design of aluminum housing –  
Quickly transmit the heat from the inside  
components to the aluminum housing.



大面積散熱設計 –  
將鋁殼的熱快速釋放到外圍的空氣中

Large area of heat dissipation design –  
Quickly dissipate the heat from aluminum fins  
into the surrounding air.



222 x 68 x 39 mm

■ GP-TH Series 205~256VAC

Model No. 型號	Output Voltage 輸出電壓	Rated Current 額定電流	Efficiency 效率	Tolerance(V) 公差	Watts 瓦
GP-TH120N-24V	24VDC	5A	84%	± 5%	120W

CE SELV IP67



250 x 80.3 x 33.5mm

■ GP-CVM200P Series 200~264VAC Active PFC

Model No. 型號	Output Voltage 輸出電壓	Rated Current 額定電流	Efficiency 效率	Tolerance(V) 公差	Watts 瓦
GP-CVM200P-12VH	12VDC	13.5A	90%	± 5%	162W
GP-CVM200P-24VH	24VDC	8.3A	90.5%	± 5%	199.2W
GP-CVM200P-36VH	36VDC	5.5A	90.5%	± 5%	198W
GP-CVM200P-48VH	48VDC	4.15A	90.5%	± 5%	199.2W

CE SELV IP67



270 x 98 x 38.5 mm

■ GP-CVM300P Series 200~264VAC Active PFC

Model No. 型號	Output Voltage 輸出電壓	Rated Current 額定電流	Efficiency 效率	Tolerance(V) 公差	Watts 瓦
GP-CVM300P-12VH	12VDC	20A	90.5%	± 5%	240W
GP-CVM300P-24VH	24VDC	12.5A	91.5%	± 5%	300W
GP-CVM300P-36VH	36VDC	8.3A	91.5%	± 5%	298.8W
GP-CVM300P-48VH	48VDC	6.25A	92%	± 5%	300W

CE SELV IP67

LED CC Driver - Plastic Housing / CC - IP ■ GP-CCP Series (7W ~ 42W)



57 x 41 x 24 mm

■ GP-CCP080N Series 90~264VAC

Model No. 型號	Output Voltage 輸出電壓	Rated Current 額定電流	Efficiency 效率	Tolerance(A) 公差	Watts 瓦
GP-CCP008N-11C-P01	2~11VDC	680mA	75%	± 7%	7.48W
GP-CCP008N-14C-P01	2~14.5VDC	500mA	75%	± 7%	7.25W
GP-CCP008N-21C-P01	2~21VDC	350mA	75%	± 7%	7.35W
GP-CCP008N-24C-P01	7~24VDC	300mA	75%	± 7%	7.2W
GP-CCP008N-28C-P01	10~28VDC	250mA	78%	± 7%	7W
GP-CCP008N-38C-P01	12~38VDC	200mA	79%	± 7%	7.6W
GP-CCP008N-48C-P01	18~48VDC	150mA	80%	± 7%	7.2W

CE FC SELV IP67



86 x 45 x 26 mm

■ GP-CCP012P Series 90~264VAC Active PFC Terminal Blocks

Model No. 型號	Output Voltage 輸出電壓	Rated Current 額定電流	Efficiency 效率	Tolerance(A) 公差	Watts 瓦
GP-CCP012P-18C-T02	3~18VDC	700mA	81%	± 5%	12.6W
GP-CCP012P-24C-T02	3~24VDC	500mA	83%	± 5%	12W
GP-CCP012P-38C-T02	3~38VDC	350mA	85%	± 5%	13.3W
GP-CCP012P-42C-T02	6~42VDC	300mA	85%	± 5%	12.6W
GP-CCP012P-42C1-T02	6~42VDC	250mA	85%	± 5%	10.5W
GP-CCP012P-42C2-T02	6~42VDC	200mA	84.5%	± 5%	8.4W

CE SELV



LED CC Driver - Plastic Housing / CC - IP ■ GP-CCP Series (7W ~ 42W)

■ GP-CCP040P Series 90~264VAC Active PFC



110 x 35 x 25 mm

Model No. 型號	Output Voltage 輸出電壓	Rated Current 額定電流	Efficiency 效率	Tolerance(A) 公差	Watts 瓦
GP-CCP040P-24C-P02	8~24VDC	1.67A	84%	± 5%	40W
GP-CCP040P-40C-P02	12~40VDC	1.05A	84%	± 5%	42W
GP-CCP040P-40C1-P02	12~40VDC	0.9A	85%	± 5%	36W
GP-CCP040P-52C-P02	22~52VDC	0.8A	86%	± 5%	41.6W
GP-CCP040P-52C1-P02	22~52VDC	0.7A	86%	± 5%	36.4W
GP-CCP040P-52C2-P02	22~52VDC	0.6A	85%	± 5%	31.2W
GP-CCP040P-52C3-P02	22~52VDC	0.5A	84%	± 5%	26W



LED CC Driver - Plastic Housing / CC - IP ■ GP-HS Series (10W ~ 15W)

■ GP-HS10P /GP-HS15P Series 90~264VAC Active PFC



110 x 35 x 25 mm (10W)  
110 x 35 x 25 mm (15W)

Model No. 型號	Output Voltage 輸出電壓	Rated Current 額定電流	Efficiency 效率	Tolerance(A) 公差	Watts 瓦
GP-HS10P-12C	8~12VDC	1000mA	81%	± 5%	12W
GP-HS10P-12C1	8~15VDC	700mA	81%	± 5%	10.5W
GP-HS10P-24C	14~24VDC	500mA	83%	± 5%	12W
GP-HS10P-24C2	14~27VDC	350mA	82%	± 5%	9.5W
GP-HS10P-36C1	24~36VDC	270mA	81%	± 5%	9.7W
GP-HS10P-36C2	20~36VDC	350mA	83%	± 5%	12.6W
GP-HS10P-48C	26~48VDC	250mA	84%	± 5%	12W
GP-HS10P-48C1	26~48VDC	270mA	81%	± 5%	12.9W
GP-HS10P-52C	30~52VDC	230mA	84%	± 5%	11.96W

GP-HS15P-12C	8~12VDC	1250mA	81%	± 5%	15W
GP-HS15P-22C1	14~24VDC	700mA	83%	± 5%	16.8W
GP-HS15P-30C	24~30VDC	500mA	83%	± 5%	15W
GP-HS15P-36C	24~36VDC	450mA	83%	± 5%	16.2W
GP-HS15P-36C2	24~38VDC	420mA	83%	± 5%	15.96W
GP-HS15P-42C	26~42VDC	350mA	84%	± 5%	14.7W
GP-HS15P-48C	26~48VDC	300mA	84%	± 5%	14.4W
GP-HS15P-52C	30~52VDC	300mA	84%	± 5%	15.6W



DC-DC Solutions / CC - Wired Cable (IP) ■ GP-LD Series

■ GP-LD10 / GP-LD15 Series (10.5W~17.5W, DC Input 11~15 Vdc & 22~30Vdc)



57 x 41 x 24mm

Model No. 型號	Output Voltage 輸出電壓	Rated Current 額定電流	Efficiency 效率	Tolerance(A) 公差	Watts 瓦
GP-LD10-30C	16~30VDC	350mA	84%	± 10%	10.5W
GP-LD15-30C	16~30VDC	500mA	84%	± 10%	15W
GP-LD15-24C	16~25VDC	700mA	84%	± 10%	17.5W
GP-LD15-40C	30~40VDC	350mA	84%	± 10%	14W



■ GP-LD Series (2W ~ 9W, DC Input 10.5~13.5Vdc)



18 x 21 x 12mm

Model No. 型號	Output Voltage 輸出電壓	Rated Current 額定電流	Efficiency 效率	Tolerance(A) 公差	Watts 瓦
GP-LD3510-12	3~10VDC	350mA	80%	± 10%	2W
GP-LD7012-12	3~12VDC	650mA	80%	± 10%	9W

■ GP-LD Series (2W ~ 9W, DC Input 22~26Vdc)

Model No. 型號	Output Voltage 輸出電壓	Rated Current 額定電流	Efficiency 效率	Tolerance(A) 公差	Watts 瓦
GP-LD3508-24	3~8VDC	350mA	80%	± 10%	2W
GP-LD3520-24	3~20VDC	350mA	80%	± 10%	5W
GP-LD7012-24	3~12VDC	650mA	80%	± 10%	9W

**GL-DA02 Series**



150 x 40 x 28 mm  
(L x W x H)



Electrical Specification	MIN.	TYP.	MAX.
Input Voltage (V AC)	90		290
Power Consumption (W)		1.6	3
DALI Bus Current Consumption (mA)			2
Other Functional Description			
Compatibility DALI Standard	IEC62386 Part-102 & Part-206		
DALI Input reversed protection	Yes		
Number of output channel	1		
Output Short Protection	Yes		
Weight	100g ±10%		
Dimensions (L x W x H)	150x40x28mm		
Operating Temperature Range	-20~+40°C		
Relay Switch (1 channel)	2A / Max inrush current 70A		

(DALI signal to analog DC 1-10V/0-10V or 10V PWM signal)

**GP-DP004N-16V Series — 3.2W**



112 x 42 x 24 mm (L x W x H)



( C.V Mode )

Type	GP-DP004N-16V
DC Voltage	16V
Rated Current	200mA
Rated Power	3.2W
Voltage Tolerance	±15%
Current Tolerance	200mA + 20% / -10%

(Input: 100-240V AC for DALI Bus Application)

**Wall Mount Type - Adapter**

CC

**GP-LC Series (8W~9W)**



US Plug:  
67x 37x27 mm



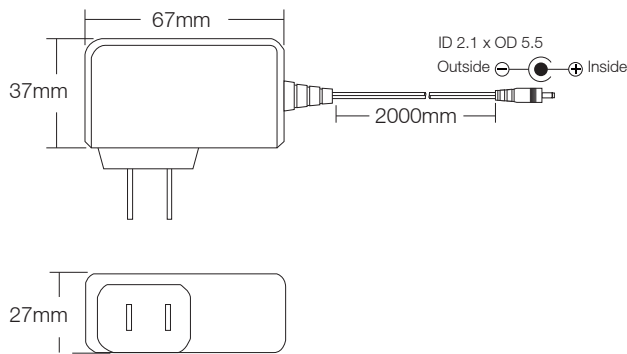
Euro Plug:  
68x 37x 28.4 mm

**GP-LCxxx-0A Series 90~264VAC**

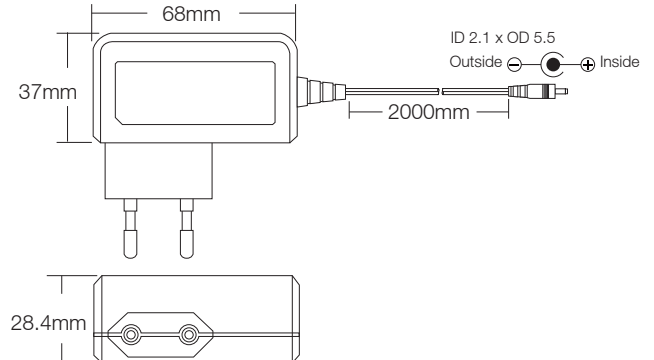
Model No. 型號	Output Voltage 輸出電壓	Rated Current 額定電流	Efficiency 效率	Tolerance(A) 公差	Watts 瓦
GP-LC3536-0A	3~36VDC	350mA	75%	± 6%	8W
GP-LC7021-0A	3~21VDC	700mA	75%	± 6%	9W



**US Plug:**



**Euro Plug:**



**GlacialTech®**

洋鑫科技股份有限公司 **GlacialTech Inc.**

地址：新北市中和區235中山路二段352號7樓  
7F, No. 352, Sec. 2, Zhongshan Rd., Zhonghe Dist., New Taipei City, Taiwan, 235

Tel : +886 2 2244-1227 Fax : +886 2 2244-1228

Email : sales@GlacialTech.com Website : www.GlacialTech.com



www.GlacialPower.com



facebook