

Model: GP-HS35P-48CA

- Universal AC Input 90-305VAC.
- Constant Current Mode.
- Built-in Active PFC Function.
- Protections: OVP, SCP, OTP.
- 3-in-1 Dimming Function (DC 1-10 V, PWM, and Resistor).
- Fully Isolated Plastic Case.
- Operation From -20°C ~50°C Full Load.
- Class 2 Power Supply Unit.
- IP67 Rated.

Approvals



Size

110 x 73.5 x 33 mm (L x W x H)



Specifications

Model No.		GP-HS35P-48CA	
Output	DC Voltage Range	33 ~ 48V	
	Rated Current	700mA	
	Rated Power	33.6W	
	Ripple & Noise (Max.) note.2	250mV	
	Efficiency at 240VAC (Typ.)	83%	
	Current Tolerance note.3	±5%	
	Dimming Control		PWM dimming: Puls: Hi=10V Low=0V, Duty:10%~100%, Fsw 0.5-3KHZ
			Analog Dimming Control: control by external voltage 1V ~ 10V DC
		Resistance Dimming:10K - 100KΩ	
Set up time (Max.)	2 Sec / 120VAC / full load		
Input	Nominal Voltage Range (TYP.)	100 ~ 277VAC	
	Voltage Range (Min/Max)	90 ~ 305VAC	
	Frequency Range	47 ~ 63 Hz	
	AC Current (Max.)	0.5A at 120VAC / 0.3A at 240VAC	
	Power Factor	>0.98 at 120 VAC/ full load / >0.95 at 240VAC / full load / >0.9 at 277VAC / full load	
	Inrush Current (Max.)	COLD START 60A at 264VAC	
	Leakage Current	<0.25mA / 230VAC	
Protections	Short Circuit	Type: Hiccup mode & recovers after fault condition disappeared.	
	Over Voltage	115% ~ 135% Output Voltage Type: Latch mode	
	Over Temperature	Thermistor:105°C ± 10°C (tc: 85°C ± 10°C) Type: Latch mode	

Environment	Operation Temperature	-20°C ~50°C full load
	Operation Humidity	20% ~ 95% RH non-condensing.
	Storage Temp.	-40 ~ +80°C
	Storage Humidity	10% ~ 95% RH
	Vibration	10~500 Hz, 2G 10 min./1 cycle, period for 60 min. each along X, Y, Z axes.
Safety & EMC	Safety Standards	UL8750, EN61347-1:2015, EN61347-2-13:2014, Independent ; IP67 Approved.
	Withstand Voltage	Meet I/P-O/P: 3.75KVAC
	Isolation Resistance	Meet I/P-O/P:100M ohms / 500VDC at 25 °C
	EMI Conduction & Radiation	Meet Compliance to EN55015,FCC part 15
	Harmonic Current	Meet Compliance to EN61000-3-2 Class C
Others	EMS Immunity	Meet Compliance to EN61547(EN61000-4-2,3,4,5,6,8,11) ; EN61000-3-2 , EN61000-3-3
	MTBF	200K hours min. MIL-HDBK-217F(25°C)
Note	Dimension(L x W x H)	110 x 73.5 x 33mm; 356g/pcs
	<ol style="list-style-type: none"> All specifications not specially mentioned are measured at 240VAC and 25 °C ambient temperature. Ripple & Noise are measured at 20MHz bandwidth by using a 12" twisted pair-wire terminated with 0.1uf & 47uf parallel capacitor. Current Tolerance: includes line regulation, load regulation and set-up tolerance. 	

3-in-1 Dimming Control (DC/ PWM/ Resistance)

3-in-1 Dimmable Function Description

(1) 0-100KΩ Resistance Dimmable (Typical):

Resistor	Single-driver	10K	20K	30K	40K	50K	60K	70K	80K	90K	100K
	Multi-driver	10K/N	20K/N	30K/N	40K/N	50K/N	60K/N	70K/N	80K/N	90K/N	100K/N
Iout (%)		10%	20%	30%	40%	50%	60%	70%	80%	90%	100%

※ The length of extended wire for DIM+/- shall not exceed 20 meters. (Wire ≤ 20m)

※ N=The number of dimmer drivers should not exceed 15.(N ≤ 15)

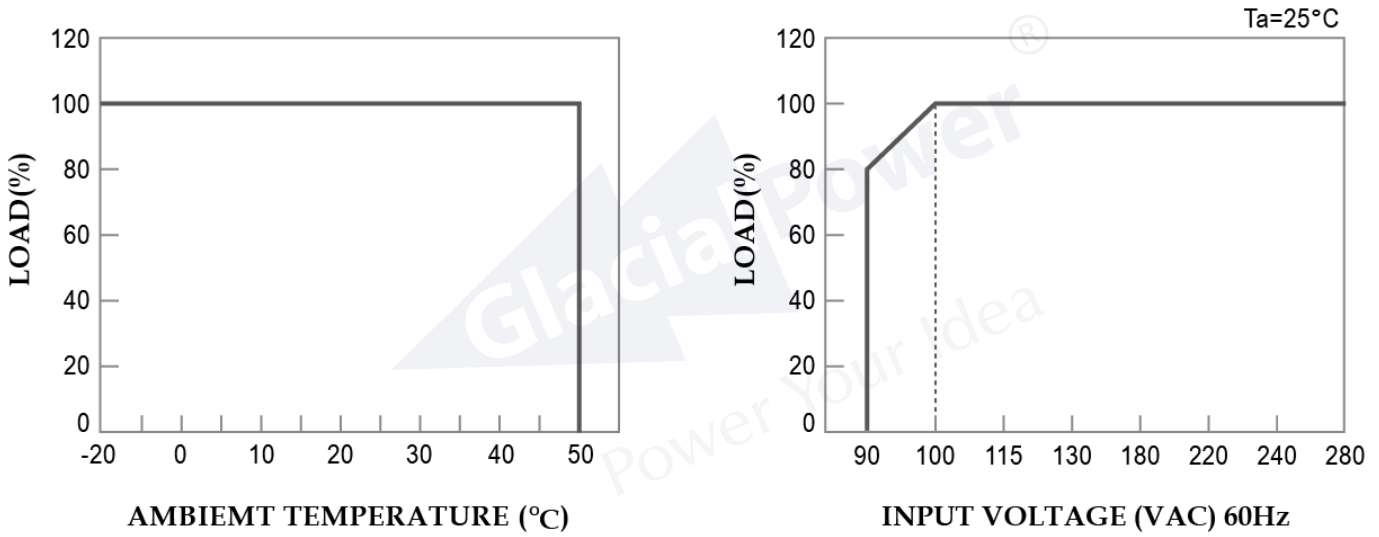
(2)DC: 0-10V Dimmable (Typical):

DIM(Voltage)	1V	2V	3V	4V	5V	6V	7V	8V	9V	10V
Iout (%)	10%	20%	30%	40%	50%	60%	70%	80%	90%	100%

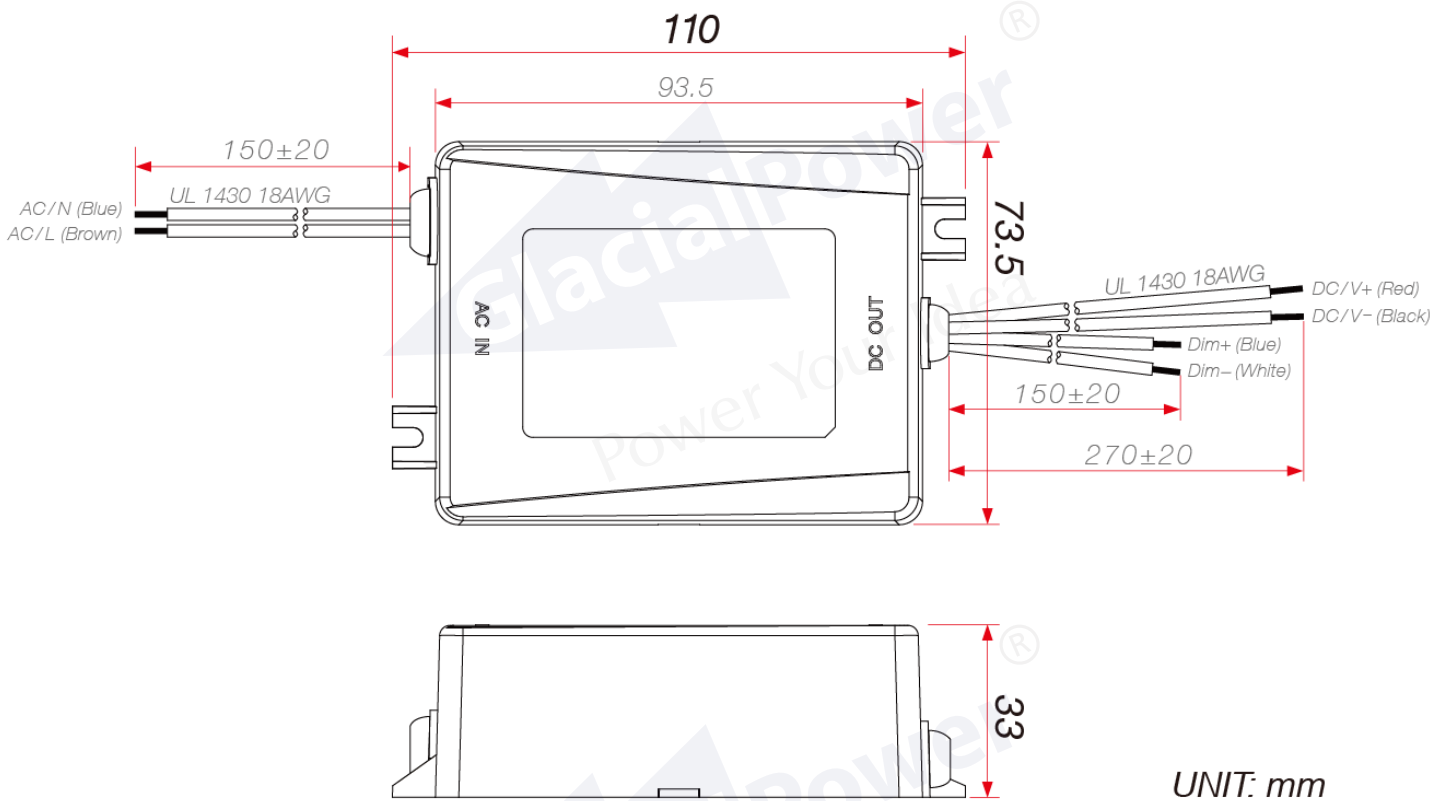
(3)10V / PWM Dimmable (Typical):

DIM(10V/PWM Duty)	10%	20%	30%	40%	50%	60%	70%	80%	90%	100%
Iout (%)	10%	20%	30%	40%	50%	60%	70%	80%	90%	100%

Derating Curve



Specification



UNIT: mm