

Model: GP-HS15P-42C(A) Series (DC Jack Connector)

■ Features

- Universal AC Input from 90 to 264VAC.
- Constant Current Mode.
- 3-in-1 Dimming Function: 0-10V, PWM, or Resistor.
- Protection: SCP and OTP.
- Fully Isolated Plastic Case.
- Class II power Design Without Earth Pin.
- Operating Temperature from -20°C to 60°C at Full Load.
- Set up Time is Less Than 0.5 Sec at Full Load.
- Compliant with ErP EU 1194/2012, Stage 3 Directives for Energy Related Products.
- DC Power Jack /Connector 2.1mm x 5.5mm Easy for Installation and Maintenance.
- IP67 Rated.

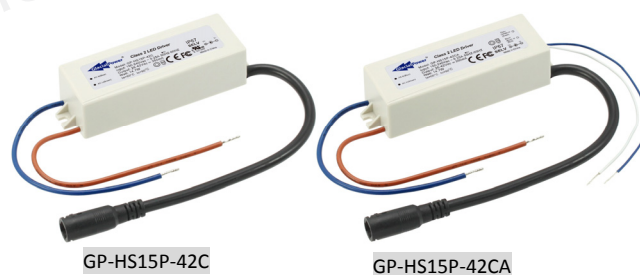
■ Approvals



SELV c us (42C only)

■ Size

110 * 35 * 25 mm (L*W*H)



GP-HS15P-42C

GP-HS15P-42CA

■ Specifications

A: Dimming

Model No.	GP-HS15P-42C	GP-HS15P-42CA	
Output	DC Voltage	42V	42V
	Rated Current Range	350mA	350mA
	Rated Max. Power	14.7W	14.7W
	Efficiency	84%	82%
	DC Voltage Range	26 ~ 42V	26 ~ 42V
	Current Tolerance	±5%	±5%
	DC Dimming	-	DC 0-10V or Electronic Potentiometer 0-10V
	PWM Dimming	-	Puls:Hi=10V Low=0V, Duty:0%~100%, Fsw 0.5-3KHZ
	Resistance Dimming	-	0KΩ~100KΩ
	Set up Time (Max)	< 0.5 Sec at full load	
No Load Consumption (Max.)	< 0.5 W at 230VAC		
Input	Rated Voltage	100 ~ 240VAC 141 ~ 340VDC	
	Voltage Range	90VAC ~ 264VAC	
	Frequency Range	47 Hz ~ 63 Hz	
	Power Factor Correction	≥ 0.88 at 120VAC, ≥ 0.8 at 240VAC	
	AC Current	0.25A at 120VAC, 0.13A at 240VAC	
	Inrush Current	11A at 115VAC, 15A at 230VAC	
	Max. Number of PSUs on Circuit Breaker	B type : 7 units (10A) / 12 units (16A), C type : 12 units (10A) / 20 units (16A) at 230VAC	
Leakage Current	< 0.25mA at 230VAC		
Protections	Over Temperature	Tc : 95°C ±10°C; Type : Hiccup Mode	
	Short Circuit	Type : Hiccup Mode	
Environment	Operation Temp.	-20°C ~ 60°C full load. (Refer to output load derating curve)	
	Operation Humidity	20% ~ 95% RH non-condensing.	
	Storage Temp.	-40 ~ +80°C	
	Storage Humidity	10% ~ 95% RH	
	Vibration	10 ~ 500 Hz, 2G 10 min. / 1 cycle, period for 60 min. each along X, Y, Z axes.	

Safety & EMC	Safety Standards	meet EN61347-1,EN61347-2-13
	Withstand Voltage	I/P - O/P: 3.75 KVAC
	Isolation Resistance	I/P-O/P : 100m ohms / 500VDC at 25°C.
	EMI Conduction & Radiation	meet EN55015
	EMS Immunity	meet EN61000-4-2, 3, 4, 5, 6, 8, 11
Others	MTBF	200K hours min.MIL-HDBK-217F(25°C)
	Dimension(L x W x H)	110 x 35 x 25mm; 139.5g/pcs
Remark	1. All parameters NOT specially mentioned are measured at 240V AC input, rated load and 25°C ambient temperature. 2. Ripple & noise are measured at 20MHZ bandwidth oscilloscope and with 0.1uf & 47uf parallel capacitor. 3. The power supply is considered a component which will be installed a final equipment. The final equipment must be re-confirmed that it still meets EMC directives.	

■ 3-in-1 Dimming Control (DC/ PWM/ Resistance) for GP-HS15P-42CA

3-in-1 Dimmable Function Description

(1) 0-100KΩ Resistance Dimmable (Typical):

Resistor	Single-driver	Short	10K	20K	30K	40K	50K	60K	70K	80K	90K	100K
	Multi-driver	Short/N	10K/N	20K/N	30K/N	40K/N	50K/N	60K/N	70K/N	80K/N	90K/N	100K/N
Iout (%)		0%	10%	20%	30%	40%	50%	60%	70%	80%	90%	100%

※ The length of extended wire for DIM+/- shall not exceed 20 meters. (Wire ≤ 20m)

※ N=The number of dimmer drivers should not exceed 15.(N ≤ 15)

※ DIM+/- <7K or 7K/N Iout 0%

(2)DC: 0-10V Dimmable (Typical):

DIM(Voltage)	0V	1V	2V	3V	4V	5V	6V	7V	8V	9V	10V
Iout (%)	0%	10%	20%	30%	40%	50%	60%	70%	80%	90%	100%

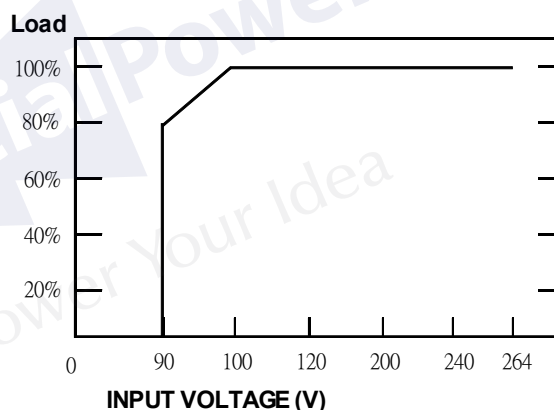
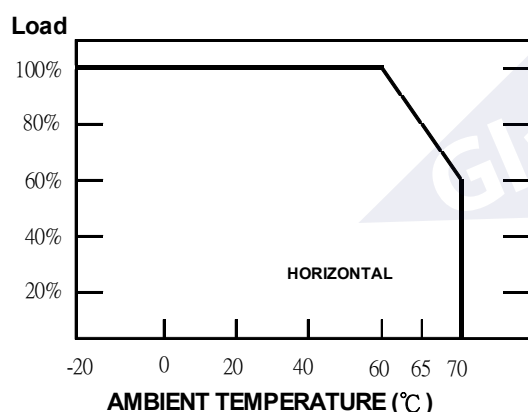
※ DIM+/- <0.7V Iout 0%

(3)10V / PWM Dimmable (Typical):

DIM(10V/PWM Duty)	0%	10%	20%	30%	40%	50%	60%	70%	80%	90%	100%
Iout (%)	0%	10%	20%	30%	40%	50%	60%	70%	80%	90%	100%

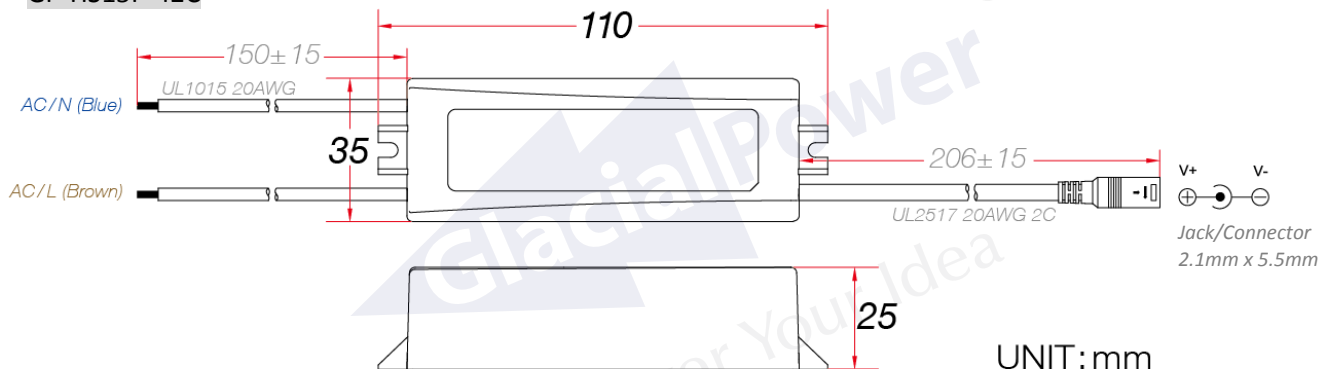
※ DIM+/- <7% Iout 0%

■ Derating Curve

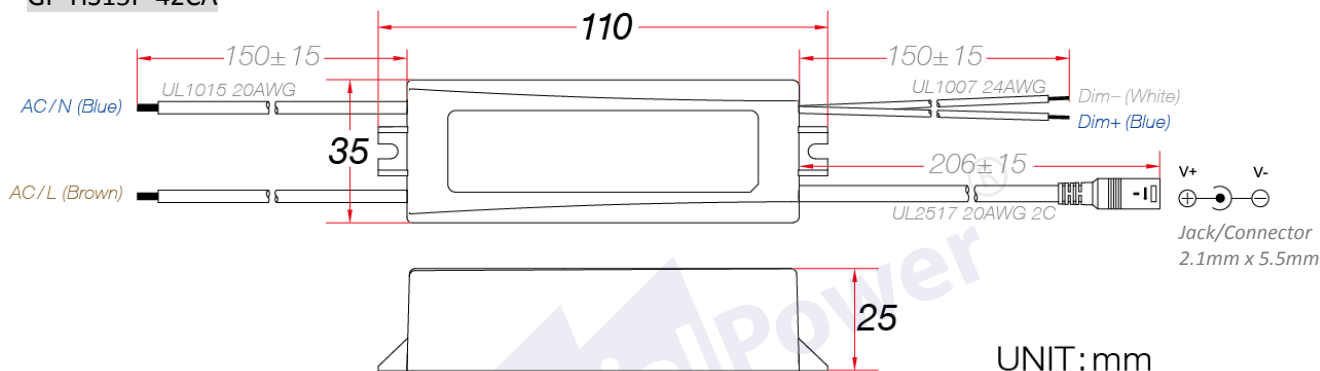


■ **Mechanical Specification**

GP-HS15P-42C



GP-HS15P-42CA



GP-HS15P-42C / GP-HS15P-42CA (DC Jack Connector)