

## Model: GP-CVP075N Series (75W/120V) 75W Constant Voltage LED Driver with Triac Dimming

### Features

- AC phase-cut dimming
- Input Range from 108VAC to 132VAC.
- Constant Voltage mode.
- Work with leading edge and trailing edge TRIAC dimmers.
- Fully Potted suitable for dry and damp location applications.
- Protections: OVP / OCP / SCP / OTP.
- IP65 Design For Indoor or Outdoor Installations.
- Appropriate for LED strips appliance.
- 2 Years Warranty.
- RoHS Compliant.

### Approvals



### Size

138 \* 47 \* 32 mm (L\*W\*H)

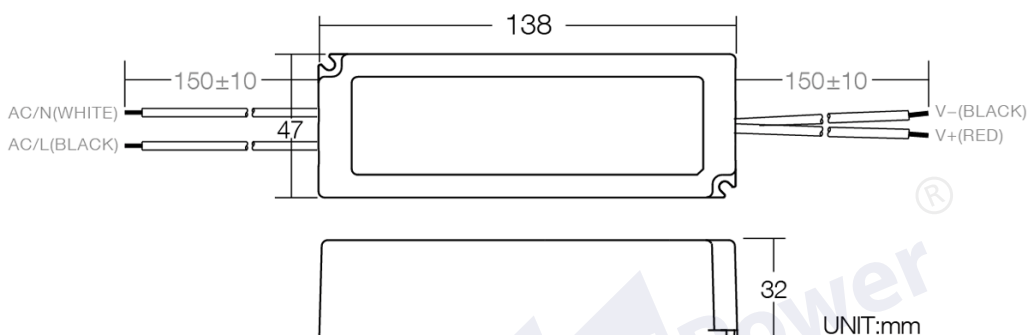


### Specifications

Model No.	GP-CVP075N-24VL-P02	
Output	Voltage Range	24VDC
	Ripple & Noise (Max.) note.2	0.7Vp-p
	Voltage Tolerance	± 5%
	dimming Range	5%~100%
	Rated Current	3.2A
	Rated Power	76.8W
	Efficiency (Typ.) note.1	83%
	Set up Time (Max.)	0.5S / 120VAC at full load
Input	Rated Voltage	120VAC
	Voltage Range	108~132VAC
	Frequency Range	50/60 Hz
	AC Current (Typ.)	1.5A at 120VAC
	Power Factor	> 0.5 at 120VAC with full load.
	Inrush Current (Typ.)	Cold Start 55A (Td=568us measured at 50% Ipeak) at 120VAC
	Max. Number of PSUs on Circuit Breaker	B type : 2 units (10A) / 3 units (16A) / 6 units (25A), C type : 4 units (10A) / 6 units (16A) / 10 units (25A), D type : 12 units (16A) / 20 units (25A) at 120VAC
	Leakage Current (Typ.)	<1mA / 120VAC
Protections	Over Voltage	120 % - 150% Output voltage limiting, auto-recovery
	Over Current	120% - 150% Hiccup mode, recovers automatically after fault condition is removed
	Over Temperature	110°C - 120°C Temperature limiting, auto-recovery
	Short Circuit	Hiccup mode, recovers automatically after fault condition is removed
Environment	Operation Temp.	-20°C ~ 50°C (Refer to output load derating curve)
	Operation Humidity	20% ~ 90% RH non-condensing.
	Storage Temp.	-20 ~ +80°C
	Storage Humidity	10% ~ 90% RH

Safety & EMC	Safety Standards	UL8750
	Withstand Voltage	I/P - O/P : 1.25K VAC
	Isolation Resistance	I/P-O/P : 100M ohms / 500VDC at 25°C
	EMC Standards note.3	meet FCC PART15 CLASSB
Others	MTBF	100K hours min. @Ta=25°C
	Dimension (L x W x H)	138* 47 * 32 mm; 385g/pcs
Note	1. All parameters NOT specially mentioned are measured at 120V/60Hz AC input, rated load and 25°C ambient temperature. 2. Ripple & Noise are measured at 20MHz bandwidth oscilloscope and with 0.1uf & 47uf parallel capacitor at 100% duty output. 3. The power supply is considered a component which will be installed a final equipment. The final equipment must be re-confirmed that it still meets EMC directives.	

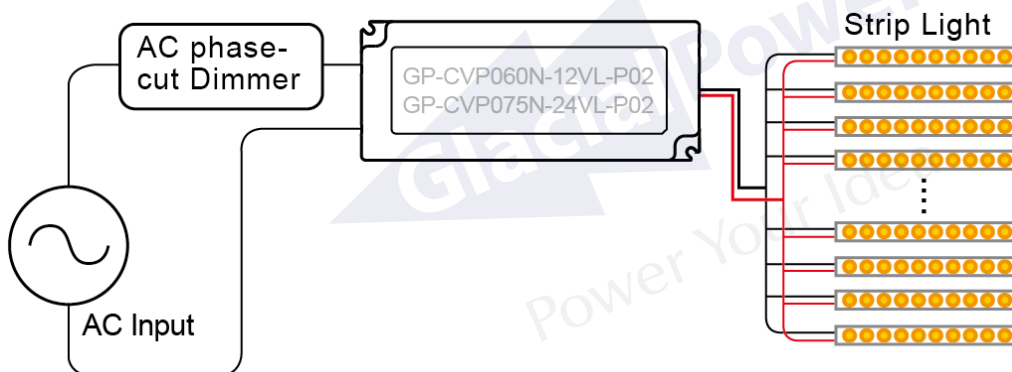
### Mechanical Specification



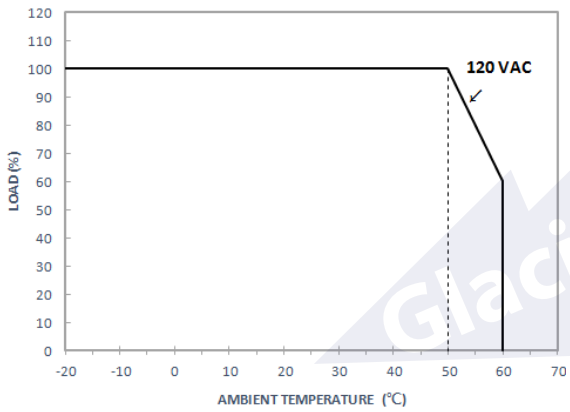
### Dimmer Recommended

Brand	Parts NO.
LUTRON	SELV-300P-AL
LUTRON	SKYLARK S-600P
LUTRON	Diva DV-603
LUTRON	Dvia DVCL-153P

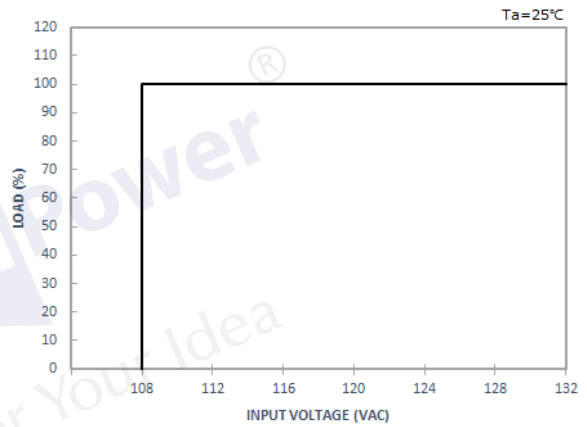
### Wiring Diagram



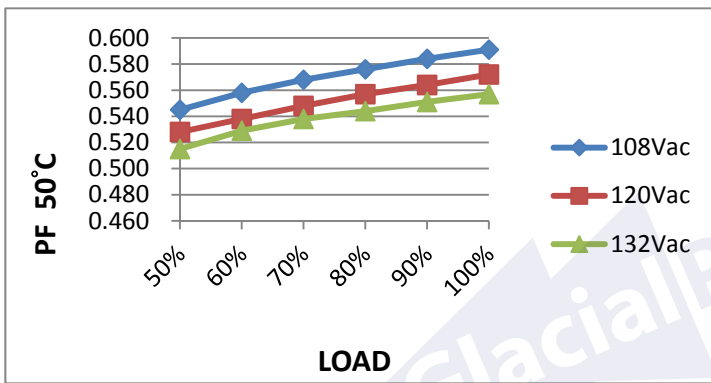
**Derating Curve**



**Static Characteristics**



**Power Factor (PF) Characteristic (Ta at 50°C)**



**Efficiency vs Load (Ta at 50°C)**

