

Model: GP-CVP040N Series (40W/230V) 40W Constant Voltage LED Driver with Triac Dimming

Features

- AC phase-cut dimming
- Input range from 205VAC to 256VAC.
- Constant voltage design. (C.V mode)
- Work with leading edge and trailing edge TRIAC dimmers.
- Fully potted suitable for dry and damp location applications.
- Protections: Over Current / Short Circuit /Over Voltage/Over Temperature.
- IP65 design for indoor or outdoor installations.
- Appropriate for LED strips appliance.
- 2 Years warranty.
- RoHS compliant.

Approvals

CE SELV IP65



Size

107.5 x 43.5 x 32 mm (L x W x H)

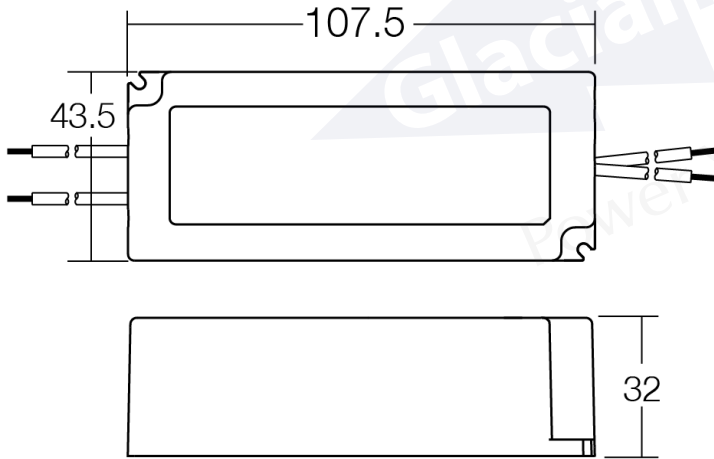


Specifications

Model No.		GP-CVP040N-12VH-P02	GP-CVP040N-24VH-P02
Output	Voltage Range	12VDC	24VDC
	Ripple & Noise (Max.) note.2	0.8Vp-p	0.6Vp-p
	Voltage Tolerance	± 5%	± 5%
	dimming Range	5%~100%	5%~100%
	Rated Current	3.4A	1.7A
	Rated Power	40.8W	40.8W
	Efficiency (Typ.) note.1	82%	84%
	Set up Time (Max)	0.5S / 230VAC at full load	
Input	Rated Voltage	220~240VAC	
	Voltage Range	205~256VAC	
	Frequency Range	50/60 Hz	
	AC Current (Max.)	0.5A at 230VAC	
	Power Factor	> 0.45 at 230VAC with full load.	
	Inrush Current (Typ.)	Cold Start 50A at 230VAC	
	Leakage Current (Typ.)	<1mA / 230VAC	
Protections	Over Voltage	120 % - 150% Output voltage limiting, auto-recovery	
	Over Current	120% - 150% Constant current limiting, auto-recovery	
	Over Temperature	110°C - 125°C Temperature limiting, auto-recovery	
	Short Circuit	Hiccup mode, recovers automatically after fault condition is removed	
Environment	Operation Temp.	-20°C ~ 50°C (Refer to output load derating curve)	
	Operation Humidity	20% ~ 90% RH non-condensing.	
	Storage Temp.	-20 ~ +80°C	
	Storage Humidity	10% ~ 90% RH	
Safety & EMC	Safety Standards	meet EN61347-1,EN61347-2-13	
	Withstand Voltage	I/P - O/P : 3.75K VAC	
	Isolation Resistance	I/P-O/P : 100M ohms / 500VDC at 25°C	
	EMC Standards note.3	meet EN55015,EN61000-4-2,3,4,5,6,8,11 ,EN61547	
Others	MTBF	100K hours min. @Ta=25°C	
	Dimension (L x W x H)	107.5 x 43.5 x 32 mm; 240g/pcs	

Note	<ol style="list-style-type: none"> All parameters NOT specially mentioned are measured at 230V/50HZ AC input, rated load and 25°C ambient temperature. Ripple & Noise are measured at 20MHZ bandwidth oscilloscope and with 0.1uf & 47uf parallel capacitor at 100% duty output The power supply is considered a component which will be installed a final equipment. The final equipment must be re-confirmed that it still meets EMC directives.
------	---

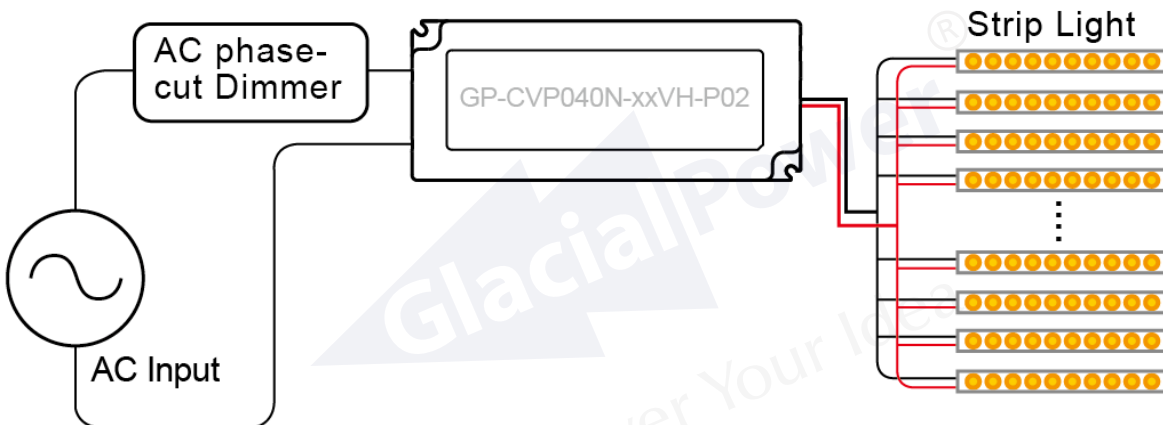
Mechanical Specification



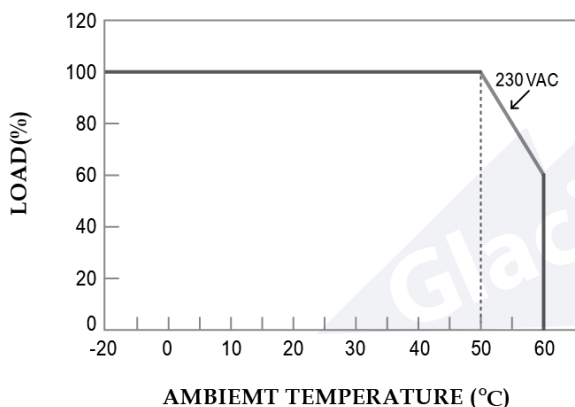
Dimmer Recommended

Brand	Parts NO.
BERKER	286710
IMPORTE PAR TIBELEC	27222
JONYEI	JY-50182
Kopp	DIMMER 8085
LICHTREGLER	814
SCHNEIDER	EV51RD400
SHIHLIN	A5-21A1
SIEMTEC	V9-032

Wiring Diagram



Derating Curve



Static Characteristics

