

Model: GP-CVP012N-xxV-P02 series (12w)

■ Features

- Universal AC input range 90 ~ 264VAC.
- Class II power design without earth pin.
- Constant voltage design. (CV mode)
- Fully isolated plastic case.
- Protections: OCP/SCP.
- No load consumption < 0.5W at 230VAC.

■ Approvals

CE FC EAC SELV

IP67 M M O

■ Size

75.3 x 36 x 24 mm (L x W x H)

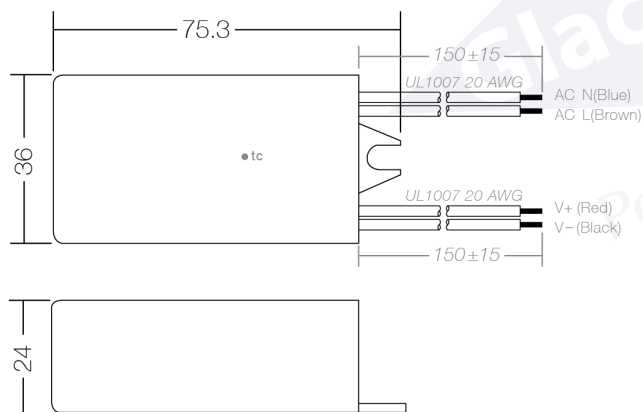


■ Specifications

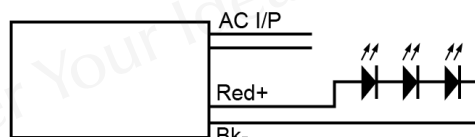
Model No.		GP-CVP012N-12V-P02	GP-CVP012N-24V-P02
Output	DC Voltage Range	12V	24V
	Rated Current	0-1000mA	0-500mA
	Rated Max. Power	12W	12W
	Voltage Tolerance	± 5%	± 5%
	Ripple & Noise (Max.) note.2	180 mVp-p	240 mVp-p
	Efficiency (Min)	81% at 230VAC full load	83% at 230VAC full load
	Set up Time (Max)	< 1S / 115VAC at full load / < 0.5S / 230VAC at full load	
Input	Rated Voltage	100 ~ 240VAC 141 ~ 340VDC	
	Voltage Range	90 ~ 264VAC	
	Frequency Range	47 Hz ~ 63 Hz	
	AC Current (Max.)	0.3A at 115VAC / 0.15A at 230VAC	
	Inrush Current (Max.)	≤ 30A at 115VAC / ≤ 40A at 230VAC	
	Leakage Current	< 0.25mA / 240VAC	
	No Load Consumption	< 0.5W at 230VAC	
Protections	Over Current	110% - 150% Constant current limiting, auto-recovery	
	Short Circuit	Hiccup mode, recovers automatically after fault condition is removed	
Environment	Operation Temp.	-10°C ~ 50°C full load (Refer to output load derating curve)	
	Operation Humidity	20% ~ 90% RH non-condensing.	
	Storage Temp & Humidity	-20 ~ +80°C ,10% ~ 90% RH	
Safety & EMC	Safety Standards	EN61347-1,EN61347-2-13;	
	Withstand Voltage	I/P - O/P: 3.75K VAC	
	EMI Conduction & radiation	meet Compliance to EN55015; FCC PART15 CLASSB	
	EMS immunity	meet Compliance to EN61000-4-2,3,4,5,6,11;EN61547	
Connection	Input	UL rated, 20 AWG x 2 C (150 mm)	
	Output	UL rated, 20 AWG x 2 C (150 mm)	
Others	MTBF	200K hours min. @Ta=25 °C	
	Dimension(L x W x H)	75.3 x 36 x 24 mm; 97.4g/pcs	

Note	<ol style="list-style-type: none"> 1. All parameters NOT specially mentioned are measured at 230VAC input, rated load and 25°C ambient temperature. 2. Ripple & Noise are measured at 20MHZ bandwidth oscilloscope and with 0.1uF & 47uF parallel capacitor. 3. The power supply is considered a component which will be installed a final equipment. The final equipment must be re-confirmed that it still meets EMC directives.
------	---

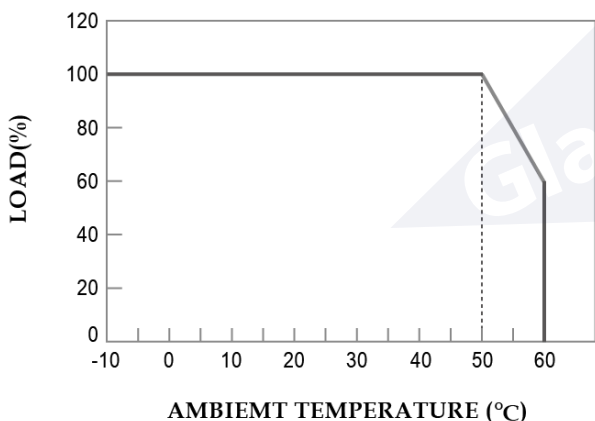
■ **Dimension**



■ **Wiring Diagram**



■ **Power Derating Curve**



■ **Power Static Characteristic**

