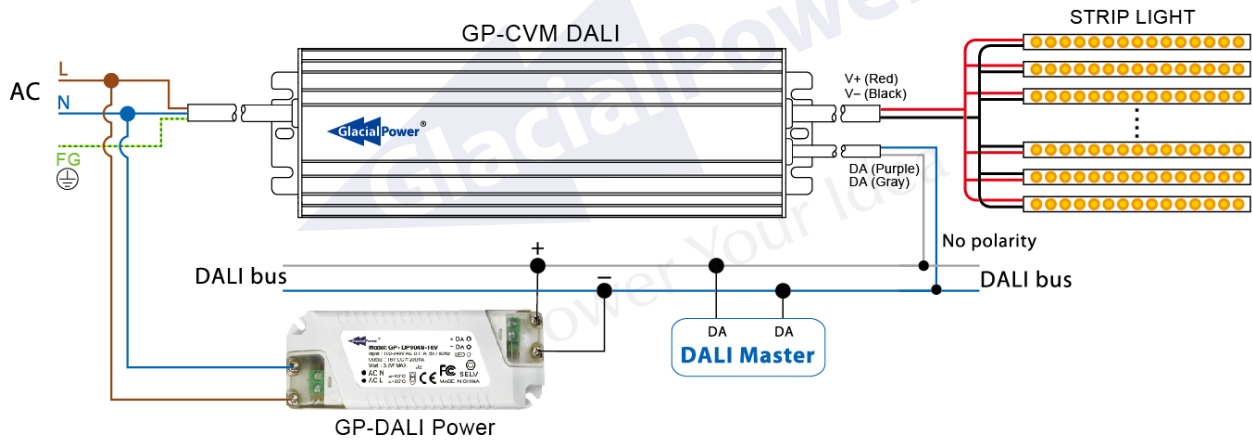


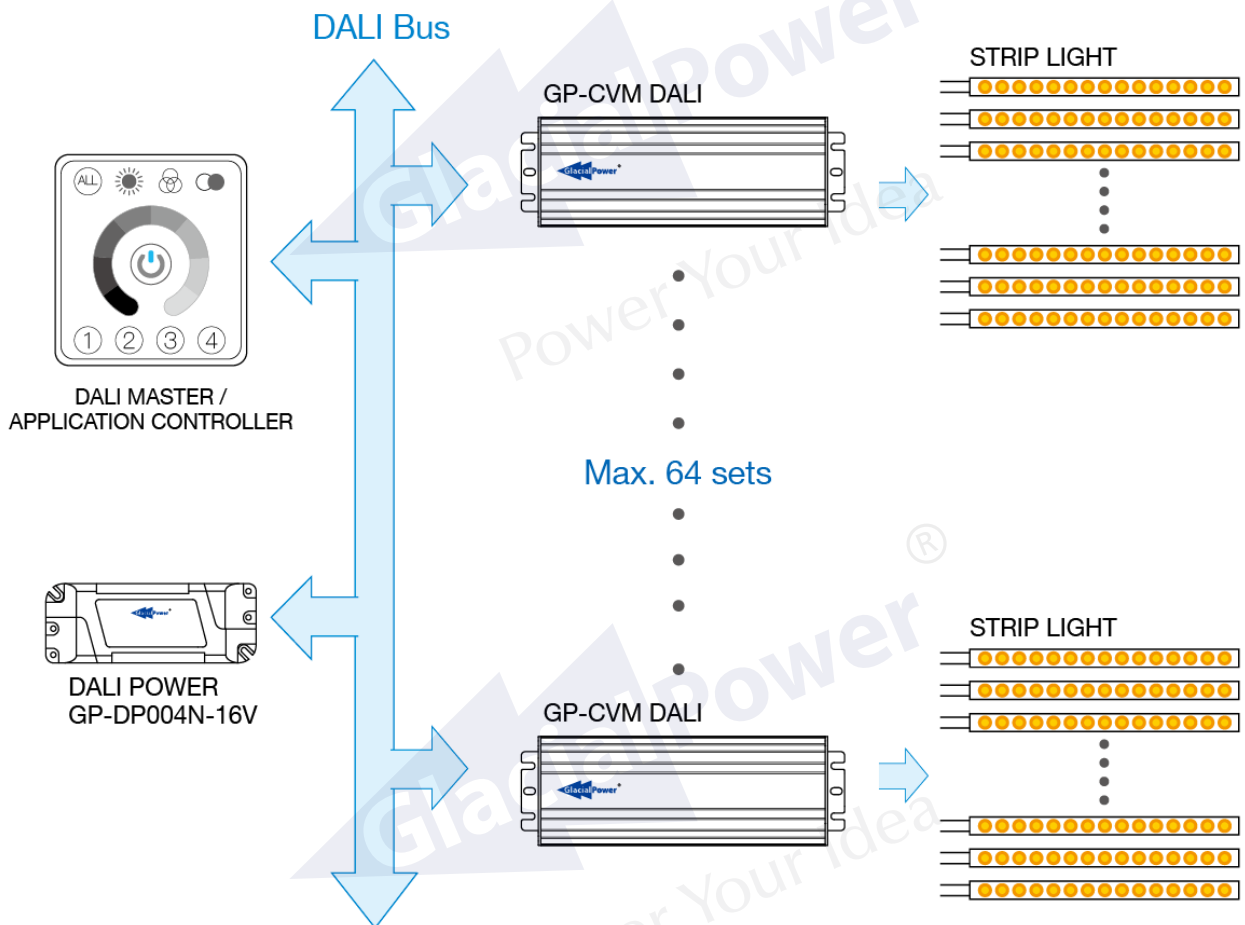
User Manual for GP-CVMxxxP-xxVD2 (DALI-2)

Wiring Diagram



ON/OFF and PWM duty cycle of output voltage can be controlled by sending DALI commands. First step is fixed at 1% of output.

Application



DAI-2 Declaration of Factory Variables (for Part 102)

VARIABLE	DEFAULT VALUE	RESET VALUE	POWER ON VALUE	RANGE OF VALIDITY
"ACTUAL DIM LEVEL"	1)	2)	0x00	0, [MIN LEVEL, MAX LEVEL]
"TARGET LEVEL"	1)	0xFE	See Power On	0, [MIN LEVEL, MAX LEVEL]
"LAST ACTIVE LEVEL"	1)	0xFE	0xFE	[MIN LEVEL, MAX LEVEL]
"LAST LIGTH LEVEL"	0xFE	no change 2)	no change	0, [MIN LEVEL, MAX LEVEL]
"POWER ON LEVEL"	254	254	no change	[0, 0xFF]
"SYSTEM FAILURE LEVEL"	254	254	no change	[0, 0xFF]
"MIN LEVEL"	"PHYSICAL MIN LEVEL"	"PHYSICAL MIN LEVEL"	no change	[PHYSICAL MIN LEVEL, MAX LEVEL]
"MAX LEVEL"	254	254	no change	[MIN LEVEL, 0xFE]
"FADE RATE"	7 (45 steps/s)	7 (45 steps/s)	no change	[1, 0x0F]
"FADE TIME"	0 (no fade)	0 (no fade)	no change	[0, 0x0F]
"EXTENDED FADE TIME BASE"	0	0	no change	[0, 0x0F]
"EXTENDED FADE TIME MULTIPLIER"	0	0	no change	[0, 0x04]
"SHORT ADDRESS"	255 ("MASK")	no change	no change	[0, 63], 255 ("MASK")
"SEARCH ADDRESS"	1)	0xFF FF FF	0xFF FF FF	[0x00 00 00, 0xFF FF FF]
"RANDOM ADDRESS"	0xFF FF FF	0xFF FF FF	no change	[0x00 00 00, 0xFF FF FF]
"OPERATING MODE"	0	no change	no change	0, [0x80 -0xFF]
"INITIALIZATION STATE"	1)	DISABLED	DISABLED	[ENABLED, DISABLED, WITHDRAWN]
"WRITE ENEABLE STATE"	1)	DISABLED	DISABLED	[ENABLED, DISABLED]
"CONTROL GEAR FAILURE"	1)	2)	FALSE 3)	[TRUE, FALSE]
"LAMP FAILURE"	1)	2)	FALSE 3)	[TRUE, FALSE]
"LAMP ON"	1)	2)	FALSE	[TRUE, FALSE]

"LIMIT ERROR"	1)	FALSE	FALSE 3)	[TRUE, FALSE]
"FADE RUNNING"	1)	FALSE	FALSE	[TRUE, FALSE]
"RESET STATE"	TRUE	TRUE	TRUE 3)	[TRUE, FALSE]
"POWER CYCLE SEEN"	1)	FALSE	TRUE	[TRUE, FALSE]
"GROUP 0-7"	0000 0000 (no group)	0000 0000 (no group)	no change	[0, 0xFF]
"GROUP 8-15"	0000 0000 (no group)	0000 0000 (no group)	no change	[0, 0xFF]
"SCENE 0-15"	255 ("MASK")	255 ("MASK")	no change	[0, 0xFF]
"DTR0"	1)	no change	0x00	[0, 0xFF]
"DTR1"	1)	no change	0x00	[0, 0xFF]
"DTR2"	1)	no change	0x00	[0, 0xFF]
"PHYSICAL MIN LEVEL"	86	no change	no change	Factory-defined 86 (Log. Curve) 4 (Linear Curve)

1) Not applicable

2) The value could change as a consequence of the RESET command execution.

3) The value should reflect the actual situation as soon as possible.

4) X is in the range 0x0 to 0xF, effectively there is one variable for each of the 16 scenes.

DAI-2 Declaration of Factory Variables (for Part 207)

VARIABLE	DEFAULT VALUE	RESET VALUE	RANGE OF VALIDITY
"MIN FAST FADE TIME"	4	No change	Factory burn-in
"FAST FADE TIME"	0	0	0, MIN FAST FADE TIME - 27
"GEAR TYPE"	0000 0101	No change	Factory burn-in
"POSSIBLE OPERATING MODES"	0000 0000	No change	Factory burn-in
"FEATURES"	0000 0011	No change	Factory burn-in
"FAILURE STATUS"	???? ????	No change	0 - 255
"OPERATING MODE"	0000 ????	no change except bit 4 is reset to 0	0 - 255
"DIMMING CURVE"	0	0	0 – 1
"EXTENDED VERSION NUMBER"	2.0	No change	Factory burn-in
"DEVICE TYPE"	6	No change	Factory burn-in

? Power up value, except bit 7 of "FAILURE STATUS" and bits 4-7 of "OPERATING MODE"

Dimming Curve

