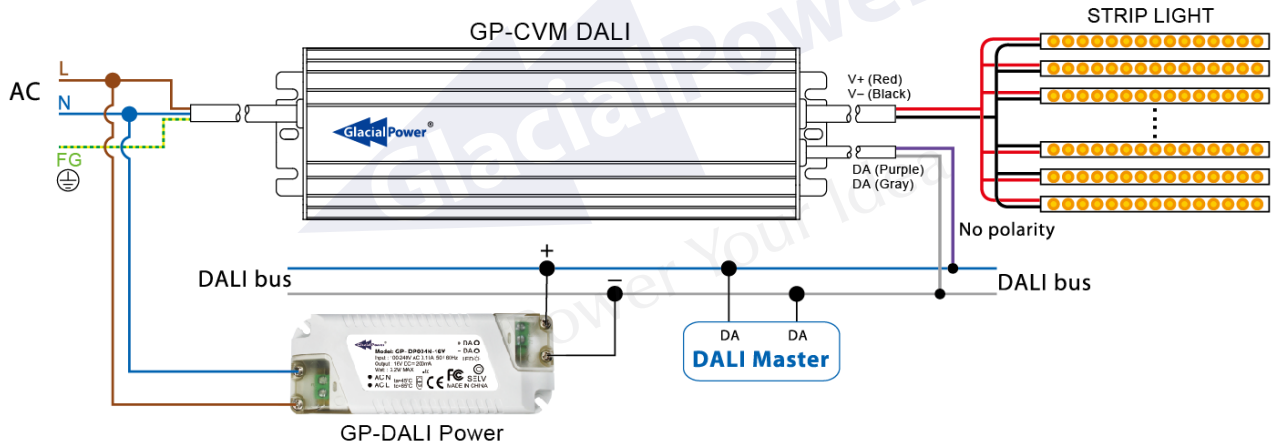


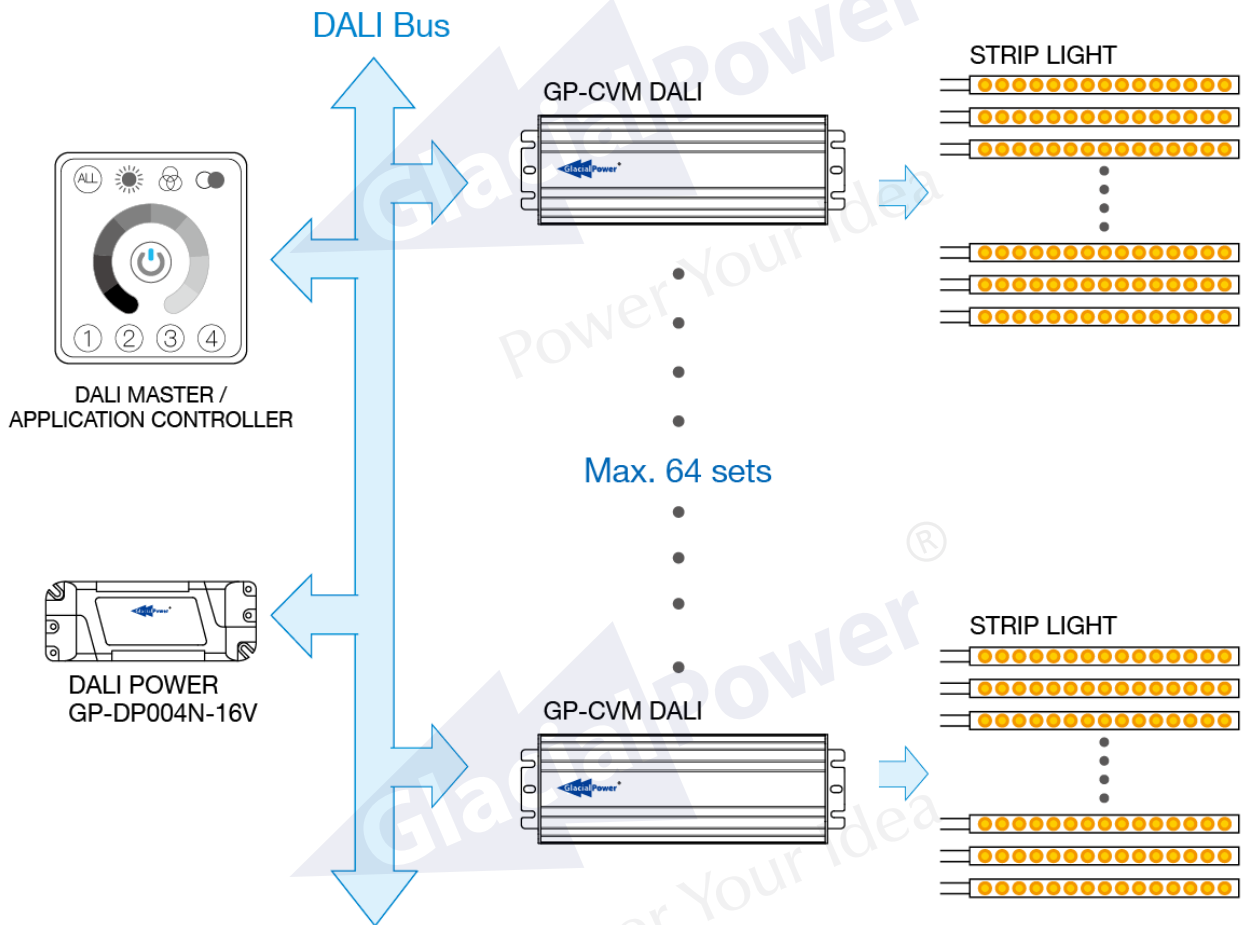
User Manual for GP-CVMxxxP-xxVD (DALI)

Wiring Diagram



ON/OFF and PWM duty cycle of output voltage can be controlled by sending DALI commands. First step is fixed at 1% of output.

Application



DAI Declaration of Factory Variables (for Part 102)

VARIABLE	DEFAULT VALUE	RESET VALUE	RANGE OF VALIDITY
"ACTUAL DIM LEVEL"	254	254	0, MIN LEVEL - MAX LEVEL
"POWER ON LEVEL"	254	254	0 - 255 ("MASK")
"SYSTEM FAILURE LEVEL"	254	254	0 - 255 ("MASK")
"MIN LEVEL"	"PHYSICAL MIN LEVEL"	"PHYSICAL MIN LEVEL"	PHYSICAL MIN LEVEL - MAX LEVEL
"MAX LEVEL"	254	254	MIN LEVEL - 254
"FADE RATE"	7 (45 steps/s)	7 (45 steps/s)	1 - 15
"FADE TIME"	0 (no fade)	0 (no fade)	0 - 15
"SHORT ADDRESS"	255 ("MASK")	no change	0 – 63, 255 ("MASK")
"SEARCH ADDRESS"	FF FF FF	FF FF FF	00 00 00 - FF FF FF
"RANDOM ADDRESS"	FF FF FF	FF FF FF	00 00 00 - FF FF FF
"GROUP 0-7"	0000 0000 (no group)	0000 0000 (no group)	0 - 255
"GROUP 8-15"	0000 0000 (no group)	0000 0000 (no group)	0 - 255
"SCENE 0-15"	255 ("MASK")	255 ("MASK")	0 - 255 ("MASK")
"STATUS INFORMATION"	1??0 ????	0?10 0???	0 - 255
"VERSION NUMBER"	1	no change	Factory burn-in
"PHYSICAL MIN. LEVEL"	1	no change	Factory burn-in
? actual value depend on the operation status			

DAI Declaration of Factory Variables (for Part 207)

VARIABLE	DEFAULT VALUE	RESET VALUE	RANGE OF VALIDITY
"MIN FAST FADE TIME"	1	No change	Factory burn-in
"FAST FADE TIME"	0	0	0, MIN FAST FADE TIME - 27
"GEAR TYPE"	0000 0001	No change	Factory burn-in
"POSSIBLE OPERATING MODES"	0000 0001	No change	Factory burn-in
"FEATURES"	0000 0000	No change	Factory burn-in
"FAILURE STATUS"	???? ?????	No change	0 - 255
"OPERATING MODE"	0000 ?????	no change except bit 4 is reset to 0	0 - 255
"DIMMING CURVE"	0	0	0 – 1
"EXTENDED VERSION NUMBER"	1	No change	Factory burn-in
"DEVICE TYPE"	6	No change	Factory burn-in
? Power up value, except bit 7 of "FAILURE STATUS" and bits 4-7 of "OPERATING MODE"			

Dimming Curve

